

GE Heat & Cool Unit



GE® ENERGY STAR® 230/208 Volt Built-In Room Air Heat/Cool Unit



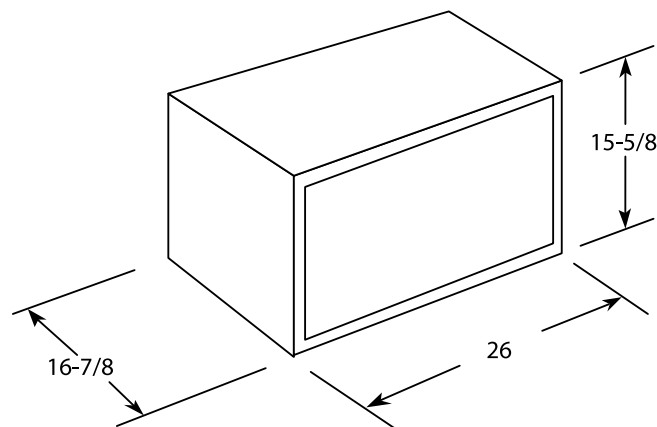
AJHS10DCC
GE® 230/208 Volt Built-In Heat Pump

Features and Benefits

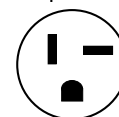
- 10,000/9,800 BTU
- 9,700/9,500 BTU pump
- 11,600/9,500 BTU strip
- 9.5/9.5 EER
- 230/208 Volts
- Mechanical controls
- Variable position thermostat
- Four-way air direction
- Up-front, washable air filter
- 2 cool/2 heat/2 fan only speeds
- Model AJHS10DCC – Soft Gray

0143200 Heat/Cool Unit

0143201 Sleeve



Perpendicular



230/208V
20 Amp



imagination at work



Total volume and shelf area are calculated by the Association of Home Appliance Manufacturers' standards.



Listed by Underwriters Laboratories

Wall Case Dimensions and Installation Information (in inches)

Note: When installing slide-out chassis units in through-the-wall applications, keep louvers free. Do not restrict air flow areas.

Refrigerators

New, Improved Models:

All refrigerators now have more efficient compressors & fan motors, plus new insulation to meet current codes!



HOTPOINT 15.7 Cubic Foot Frost-Free Recessed Handles

- ◆ Upfront Temperature Controls
- ◆ Recessed Handles
- ◆ Two Adjustable Wire Shelves—Maximize usable storage space
- ◆ Two Fixed Gallon Door Storage Shelves
- ◆ Two Vegetable/Fruit Crispers
- ◆ Equipped for optional automatic icemaker
- ◆ Deluxe Quiet Design
- ◆ NeverClean™ Condenser—Condenser coils are encased, so they don't require cleaning in normal operating environments

Dimensions

Height: 61-3/4"
Width: 28"
Depth: 31"
Depth (w/o handle): 29-1/8"
Depth with door open 90°: 54-7/8"

Weight

Approx. 147 lbs.
Approx. Ship 166 lbs.

0143069 White
0143076 White* With Ice Maker Installed

*This model comes with standard handles



HOTPOINT 18.0 Cubic Foot Frost-Free

- ◆ Upfront Temperature Controls
- ◆ Vegetable/Fruit Crispers
- ◆ Equipped for optional automatic icemaker
- ◆ Two Adjustable Wire Shelves—Maximize usable storage space
- ◆ Gallon Door Storage
- ◆ Contoured Doors—Create a high-fashion look with gently rounded doors and edges
- ◆ Deluxe Quiet Design—Significantly reduces operating noise
- ◆ NeverClean™ Condenser—Condenser coils are encased, so they don't require cleaning in normal operating environments

Dimensions:

Height: 66-5/8"
Width: 29-1/2"
Depth: 32-1/8"
Depth (w/o handle): 30-1/4"
Depth with door open 90°: 58-1/8"

Weight

Approx. 198 lbs.
Approx. Ship 223 lbs.

0143054 White



HOTPOINT

18.2 Cubic Foot Frost-Free

- ◆ Adjustable Glass Shelves—Lets consumers maximize usable storage space
- ◆ Upfront Temperature Controls—Are positioned up front, close at hand, for maximum convenience and ease of use
- ◆ Factory-Installed Icemaker—Makes ice automatically, ensuring a ready supply
- ◆ Two clear vegetable/fruit crispers
- ◆ Two full width adjustable glass shelves
- ◆ Can storage shelf
- ◆ Clear snack pan
- ◆ Two fixed gallon door shelves
- ◆ Square Doors—Classic design
- ◆ NeverClean™ Condenser

Dimensions

Height: 67-3/8"
 Width: 28"
 Depth: 32-3/8"
 Depth (w/o handle): 30-1/2"
 Depth with door open 90°: 56-3/8"

Weight:

Approx. 203 lbs.
 Approx. Ship 228 lbs.

0143065 White w/Ice Maker



19.9 Cu. Ft. Side by Side Refrigerator

- ◆ Adjustable Wire Shelves—Lets consumers maximize usable storage space
- ◆ Upfront Electronic Dial Temperature Controls—A simple turn of knob regulates interior temperatures
- ◆ Sealed Vegetable / Fruit Crisper
- ◆ Sealed Deli Pan—Provides convenient storage for cheeses and luncheon meats
- ◆ Gallon Door Storage—Makes room for milk and any other gallon size containers
- ◆ Adjustable Wire Shelves—Provide strong support and slide out with ease
- ◆ FrostGuard™ Technology—Protects frozen items from freezer burn by monitoring freezer door openings and defrosting only when needed
- ◆ 1 Year Warranty – parts & labor

Dimensions

Height: 67-1/2"
 Width 31-1/2"
 Depth: 33-5/8"
 Depth (w/o handle): 31-1/4"
 Depth with door open 90°: 47-3/8"

Weight:

Approx.: 285 lbs.
 Approx. Ship: 306 lbs.

0143080 White



15.5 Cu. Ft. Top-Freezer Refrigerator Model#: HTH16BBXRWW

Approximate Dimensions (HxDxW): 61 3/4 in x 31 in x 28 in

- ◆ Upfront Temperature Controls—Features easy-to-reach, easy-to-read temperature controls
- ◆ Adjustable Wire Shelves—Maximize usable storage space
- ◆ Gallon Door Storage—Makes room for milk and any other gallon size containers
- ◆ Vegetable/Fruit Crispers—For easy storage of your fruits and vegetables
- ◆ NeverClean™ Condenser—Condenser coils are encased, so they don't require cleaning in normal operating environments
- ◆ Deluxe Quiet Design—Significantly reduces operating noise

Warranty Information:

- ◆ Parts Warranty: Limited 1-year entire appliance
- ◆ Labor Warranty: Limited 1-year entire appliance
- ◆ Warranty Notes: See written warranty for full details
- ◆ Warranty Notes: See written warranty for full details

0143140 White



18.0 Cu. Ft. Top-Freezer Refrigerator Model#: GTH18DCXRWW

Approximate Dimensions (HxDxW): 66 5/8 in x 32 1/8 in x 29 1/2 in

- ◆ Upfront Temperature Controls—Features easy-to-reach, easy-to read temperature controls
- ◆ Factory-Installed Icemaker—Makes ice; automatically ensuring a ready supply
- ◆ Sealed Vegetable/Fruit Crispers—Help preserve fruits and vegetables
- ◆ Spillproof Freezer Floor—Seamless design offers easy cleanup
- ◆ Gallon Door Storage—Makes room for milk and any other gallon size containers
- ◆ NeverClean™ Condenser—Condenser coils are encased, so they don't require cleaning in normal operating environments
- ◆ Deluxe Quiet Design—Significantly

Warranty Information:

- ◆ Parts Warranty: Limited 1-year entire appliance
- ◆ Labor Warranty: Limited 1-year entire appliance
- ◆ Warranty Notes: See written warranty for full details

0143141 White - w/Ice-Maker

0143143 White - w/out Ice-Maker

Outdoor Improvements
 Anchors & Set-Up Material
 Doors & Windows
 Coatings & Cleaners
 Appliances
 Tools & Hardware
 Carpet & Flooring
 Electrical
 Plumbing
 Towing & Safety
 Heating & Cooling

Refrigerators



22.0 Cu. Ft.

Side-By-Side Refrigerator with Dispenser
Model#: GSH22JFXWW



Approximate Dimensions (HxDxW):
67 1/2 in x 33 5/8 in x 33 1/2 in

- ◆ External Temperature Controls with Child Lock -Combines the ease of 0-9 temperature settings, with the sophistication of electronic controls
- ◆ Adjustable Humidity Vegetable/Fruit Crispers—Provide ideal storage environment for fruits and vegetables
- ◆ Adjustable Temperature Deli Drawer—Keep meats and cheeses fresher, longer
- ◆ Snack Pan—Conveniently stores re-wrapped meats, cheeses and other snacks
- ◆ Adjustable Gallon Door Bins—Provides additional storage space for milk and other gallon-size containers
- ◆ Adjustable Spillproof Glass Shelves—Raised edges help contain spills to make clean up quick and easy
- ◆ GE Water Filtration System—Delivers clean great-tasting water and ice through the LightTouch! Dispenser

Warranty Information:

- ◆ Parts Warranty: Limited 1-year entire appliance
- ◆ Labor Warranty: Limited 1-year entire appliance
- ◆ Warranty Notes: See written warranty for full details

0143142 White



HOTPOINT

15.6 Cu. Ft.

Top-Freezer Refrigerator
Model#: HTR16ABSRWW

Approximate Dimensions (HxDxW):
61 3/4 in x 29 1/8 in x 28 in

- ◆ Upfront Temperature Controls—Are positioned up front, close at hand, for maximum convenience and ease of use
- ◆ Gallon Door Storage—Makes room for milk and any other gallon size containers
- ◆ Adjustable Wire Shelves—Provide strong support and slide out with ease
- ◆ Vegetable/Fruit Crisper—For easy storage of fruits and vegetables
- ◆ NeverClean™ Condenser—Condenser coils are encased, so they don't require cleaning in normal operating environments
- ◆ Deluxe Quiet Design—Significantly reduces operating noise
- ◆ Recessed Handles—Color-matched recessed door handles reflects the latest in European style and appearance

Warranty Information:

- ◆ Parts Warranty: Limited 1-year entire appliance
- ◆ Labor Warranty: Limited 1-year entire appliance
- ◆ Warranty Notes: For models produced on or after

January 1, 2006; See written warranty for full details

0143069 White



0143069 is not an Energy Star refrigerator



20.0 Cu. Ft. Side by Side Refrigerator w/Water & Ice

- ◆ External Temperature Controls with Child Lock—Combines the ease of 0-9 temperature settings, with the sophistication of electronic controls
- ◆ Sealed Vegetable / Fruit Crisper—Provides easy storage for your fruits and vegetables
- ◆ Sealed Deli Drawer—Provides convenient storage for cheeses and luncheon meats
- ◆ Adjustable Gallon Door Bins—Provides additional storage space for milk and other gallon-size containers
- ◆ FrostGuard™ Technology—Protects frozen items from freezer burn by monitoring freezer door openings and defrosting only when needed
- ◆ Factory installed icemaker (cubes & crushed ice) & Light Touch Dispenser
- ◆ AutoEnergy Saver—Senses freezer and fresh door openings and adjusts refrigeration operation cycles accordingly

Dimensions

Height: 67-1/2"
 Width: 31-1/2"
 Depth: 33-5/8"
 Depth (w/o handle): 31-1/4"
 Depth with door open 90°: 47-3/8"

0143058 White

Weight

Approx. 285 lbs.
 Approx. Ship 306 lbs.

Outdoor Improvements

Anchors & Set-Up Material

Doors & Windows

Coatings & Cleaners

Appliances



0143095 Universal Icemaker Kit

Universal Icemaker Kit

Full one-year warranty.

- 0143096** IM5SS Fits all post '01 side-by-sides that did not already have icemaker installed.
- 0143095** IM4A Fits all post '01 top freezers, model year bottom freezers and post '01 bottom freezers.
- 0143091** IM6 Service Icemaker Kit; Kit contains parts for any GE/Hotpoint model. Backward compatible on everything except 21-22 cu. ft. model year bottom freezers.

Flair-It Icemaker Valve & Tee

Use with polybutylene pipe. Due to copper valve, teflon tape is recommended.



- 0164374** Valve Only
- 0164330** Tee Only

Tools & Hardware

Carpet & Flooring



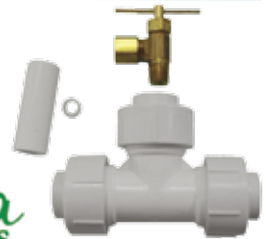
Brass Drain & Icemaker Valve

Compression straight valve.
 1/2" PEX x 1/4" OD.
0168219

Icemaker Kit

5/8" OD tee and 1/4" OD valve assembly.

0166220



Electrical

Plumbing

Icemaker Hookup Kits



- 25' poly tubing & 1 saddle valve
- **0143083**
- 16' copper pipe & 1 saddle valve
- **0143085**



25' poly tubing & 1 saddle valve
0143083

No-Burst Icemaker Connector

Highest burst strength available. Each foot contains 250 feet of stainless steel wire. Exceptional flexibility for easy installation. Won't kink or crease, even in the tightest applications. Exceeds all requirements for flexible water connectors as defined by ASME A112.18.6 and CSA B125.

0375009 60"



Towing & Safety

Heating & Cooling