

# Wood Stoves



## TNC-13

Free standing wood burning stove with 6" top exhaust. Heats up to 1,800 sq ft. 1.8 cu. foot firebox can accommodate logs up to 20".

### Features:

- High tech firebox design for cleaner burn, more heat and more efficient burn times
- Extra large 9 1/4" x 16 1/2" door glass standard
- Rear heat shield is standard
- Convenient ash drawer
- This pedestal version is Mobile Home approved!
- E.P.A. Certified
- Shown with optional lip trim and door trim

### Dimensions:

25 1/4" wide x 26" high x 14" deep  
Weight: 295 lbs

**0238100** 50-TNC13 stove



*You must use an outside air hook-up when installing either model in a mobile home.*

## TNC-30

Free standing, non-catalytic, wood burning stove with 6" top exhaust. Heats up to 2,200 sq ft. 3.5 cu. foot firebox can accommodate logs up to 20".

### Features:

- Super clean burn (1.63 grams/hour) makes it the cleanest burning large firebox on the market
- Potential of 75,000+ BTU's when burning seasoned cordwood
- Rear heat shield is standard
- Convenient ash drawer
- This pedestal version is Mobile Home approved!
- E.P.A. Certified – meets all E.P.A. clean air standards
- Shown with optional lip trim and door trim

### Dimensions:

23 1/4" wide x 27 3/4" high x 24 1/2" deep  
Weight: 455 lbs

**0238101** 50-TNC30 stove



*You must use an outside air hook-up when installing either model in a mobile home.*

## Stove Pipe & Accessories

Stock #	Description
<b>0238105</b>	6" x 12" TLC all flue chimney
<b>0238106</b>	6" x 48" TLC all flue chimney
<b>0238107</b>	6" adjustable ceiling plate flat-6/12
<b>0238108</b>	6" adjustable ceiling plate 6/12-12/12
<b>0238109</b>	6" topper
<b>0238110</b>	6" cathedral ceiling support box

Stock #	Description
<b>0238111</b>	6" round ceiling support
<b>0238112</b>	6" adj. flashing 6/12-12/12
<b>0238113</b>	6" adj. flashing 0/12-6/12
<b>0238114</b>	6" tall cone flashing 0/12-2/12
<b>0238115</b>	6" storm collar, fixed
<b>0238116</b>	6" stovepipe adapter



## 2400 Kerosene Heater

The Monitor 2400 direct vent room heater runs on either K-1 Kerosene or Low Sulphur No.1 Oil. This supplemental heater is designed to keep up to 2,000 sq. ft. comfortable on about 1.5 – 2.0 gallons a day. Heat rating of 43,000 High, 16,200 Low BTUs  
The Monitor "pipe within a pipe"

design ensures no cold air infiltration and no fumes. The control panel includes a child lock to prevent accidental operation by children. The Monitor 2400 kerosene heater also has a 7-day timer, so you can customize the four-time / temperature program for individual days of the week.

**0239963** 26.6"H, 28.7"W, 14"D

## Direct Vent Room Heater for Natural Gas or LP



### GF 1800 Heater - 20,000 Input BTUs/HR

The Monitor GF1800 gas heater runs on either Natural Gas or Liquid Propane. This efficient supplemental heater can provide comfortable dependable heat to spaces up to 800 sq. ft.  
This Monitor gas heater can be programmed to four different times and four different temperatures to match your family's lifestyle. It also has a 7-day timer so you can customize the four time/temperature

program for individual days of the week.  
Like all Monitor heaters, the GF1800 gas heater is a sealed combustion unit that uses outside air for combustion and sends all exhaust outside. Monitor's "pipe-within-a-pipe" uses the smallest pipe in the industry, 2 ½ inches. This technology ensures steady comfortable heat with no fumes. Approved for manufactured housing.

**0239961** 25.6"H, 20.9"W, 12.4"D



### GF 3800 Heater - 34,500 Input BTUs/HR

The GF 3800 can provide comfortable dependable heat to spaces up to 1500 sq. ft. The GF 3800 has a Seven-Day Programmable thermostat, Child lock, Auto reset after power outages, and beautiful contemporary styling. The GF 3800, like all Monitor

Heating Systems, is a sealed, combustion unit that uses outside air for combustion and sends all exhaust outside. Outside air is drawn through a pipe-within-a-pipe venting system. This process preheats combustion air regaining heat from the exhaust gases.

**0239960** 26.6"H, 28.7"W, 14"D

# Empire Comfort Heating Systems

## Vent-Free Systems:

Vent-Free systems draw room air to support combustion in a clean burning blue flame or radiant-plaque system. Rated at 99.9 percent efficient, vent-free heaters release nearly all of the available heat energy into the room. To ensure safe operation, all vent-free systems include an Oxygen Depletion Sensor

(ODS) to automatically turn off the heater if room oxygen level drops to an unsafe level. Vent-free systems are designed to provide supplemental heat and may not be used as a primary heat source.

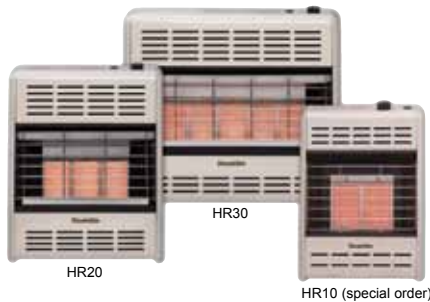


### SR Radiant Heat

Stock #	Model #	Input Btu	Temperature Control	Ship. Wt.
0239995	SR-10	10,000	Manual 1-Heat Setting	18 lb
0239996	SR-18	18,000	Manual 3-Heat Setting	27 lb
0239997	SR-30	30,000	Manual 3-Heat Setting	35 lb

### HearthRite Heaters

- Standing Pilot/Piezo
- Radiant or Blue Flame design
- Manual or T-stat
- 99% efficient



Floor stand & blowers available

### Blue Flame

Stock #	Model #	Input Btu	Temperature Control	Ship. Wt.
0239983	HB20ML	20,000 LP	Manual	25 lb
0239980	HB20TL	20,000 LP	Thermostat	25 lb
0239982	HB30ML	30,000 LP	Manual	33 lb
0239981	HB30TL	30,000 LP	Thermostat	33 lb

### Radiant

Stock #	Model #	Input Btu	Temperature Control	Ship. Wt.
0239987	HR15ML	15,000 LP	Manual	25 lb
0239985	HR15TL	15,000 LP	Thermostat	25 lb
0239988	HR25ML	25,000 LP	Manual	33 lb
0239986	HR25TL	25,000 LP	Thermostat	33 lb

### Accessories

Stock #	Model #	Description	Ship. Wt.
0239989	HAB01	Blower (fits 15 - 30k Btu)	5 lb
0239993	HAS01	Stand (fits 6k - 10k Btu)	3 lb
0239994	HAS02	Stand (fits 15k - 30k Btu)	3 lb

## Direct-Vent Systems:

DV systems mount along an outside wall and have a vent-within-a-vent system to draw in outdoor air to support combustion and exhaust flue products to the outdoors. The vent cap usually installs on the outside wall of the home. Because

they do not draw your already heated room air to support combustion, DV systems are among the most efficient of the vented heaters. DV systems may be installed as the primary heating system. Approved for manufactured housing.

### MV Direct Vent Wall Furnaces

Empire MV direct-vent heaters are slim and compact, complementing any room décor. Built-in Thermostat, Safety Thermocouple, and Matchless Piezo Igniter. Standing Pilot/Piezo. Modulating Hydraulic Thermostat.

Stock #	Model #	Type of Gas	Input Btu	Ship. Wt.
0239998	MV-130 NAT	Natural	14,000	33 lb
0239999	MV-130 LP	LP	14,000	33 lb



# Empire Comfort Heating Systems

## DV Direct Vent Wall Furnaces

Clean and cost efficient comfort with Empire wall furnaces. Delivering ample, room-filling warmth, each furnace is stylishly crafted and fits

against an outside wall. Millivolt wall thermostat. Standing Pilot/Piezo ignition system.

Stock #	Model #	Input Btu	Type of Gas	Ship. Wt.
0239950	DV-215 SG NAT	15,000	Natural	60 lb
0239951	DV-215 SG LP	15,000	LP	60 lb
0239977	DV-25 SG NAT	25,000	Natural	98 lb
0239978	DV-25 SG LP	25,000	LP	98 lb
0239973	DV-35 SG NAT	35,000	Natural	101 lb
0239976	DV-35 SG LP	35,000	LP	101 lb

0239971 Automatic Blower (Mfr# DRB-1), 8 lb



DV-215



DV-35

## High Efficient Direct Vent Wall Furnaces

Advanced technology makes these heaters more than 80 percent efficient A.F.U.E. The 20,000 Btu DV-20E is ideal for heating basements, family rooms or several small

rooms. The DV-40E and DV-55E are perfect for heating large family rooms, offices, apartments or even entire homes. Hot Surface/Electronic ignition system.

Stock #	Model #	Input Btu	Type of Gas	Temperature Control	Ship. Wt.
0239990	DV-20E	20,000	Natural	Thermistor, Electronic	126 lb
0239991	DV-40E	40,000	Natural	Thermistor, Electronic	137 lb
0239992	DV-55E	55,000	Natural	Thermistor, Electronic	156 lb

0239959 Floor Pad 36 x 14 inch. (Mfr# DVP-1), 10 lb



## B-Vent Systems:

B-Vent systems use room air to support combustion and exhaust their flue products to the outdoors via a single pipe. B-Vent heaters can mount anywhere you have access to an existing flue or where you can install a vent run through the roof. The ability to attach to an existing flue makes a B-Vent

system an excellent replacement for an inefficient oil or wood stove. Though less efficient than other technologies – because they draw the already-heated room air to support combustion – B-Vent systems may be installed as the primary heating system.

## Console Room Heaters

Our console heaters feature an open design for maximum heat dispersion and include a draft diverter to eliminate pilot outages. Choose closed cabinet for heat only or visual flame (with optional log set or ceramic radiant package) for a fireplace-like

experience. Installs easily with standard vent pipe. An optional automatic blower enhances heat circulation (standard on RH-50B/656B.) Hydraulic thermostat.

### Console

Stock #	Model #	Input Btu	Type of Gas	Ship. Wt.
0239969	RH-25	25,000	Natural	84 lb
0239968	RH-35 NAT	35,000	Natural	88 lb
0239972	RH-35 LP	35,000	LP	88 lb

0239959 Floor Pad 36 x 14 inch. (Mfr# DVP-1), 10 lb

0239971 Automatic Blower (Mfr# DRB-1), 8 lb

### Visual Flame and Closed Front, (With blowers installed)

Stock #	Model #	Input Btu	Type of Gas	Front of Unit	Ship. Wt.
0239979	RH-65B	65,000	Natural	Visual Flame	142 lb
0239970	RH50-CB NAT	50,000	Natural	Closed Front	124 lb
0239975	RH65-CB LP	50,000	LP	Closed Front	124 lb



# Heat & Air

## B-Vent Systems: (Continued)

### Gravity Wall Furnaces - Natural Gas

Our economical Gravity Vented Furnaces utilize state-of-the-art technology for the highest fuel efficiency. This furnace recesses into a wall or surface mounts with the optional kit. Heat two adjoining rooms with the GWT-50. Standing Pilot ignition system. Millivolt thermostat (not included).

Stock #	Model #	Input Btu	W x D x H	Ship. Wt.
0239964	GWT-35	35,000	16" x 6" x 66-1/8"	86 lb
0239967	GWT-50*	50,000	16" x 6" x 66-1/8"	133 lb

\* Dual Wall heats 2 rooms  
0239967 may use 2 blowers

**0239958** Wall Thermostat, Millivolt Reed Switch (Mfr# TMV), 2 lb

### Conventional Vent Counterflow Wall Furnaces

Counterflow wall furnaces circulate warmth at floor level to provide comfort at a fraction of the cost of electric heat. The front panels remove easily for cleaning and servicing. Choose

standing pilot or electronic ignition. Optional side and rear registers help disperse heat to other areas. Standing Pilot/Piezo ignition system. 24V wall thermostat. Shipping weight 110lb.

Stock #	Model #	Input Btu	W x D x H	Gas	Ship. Wt.
0239965	FAW-40-SPP NAT	40,000	14-1/8" x 10-3/8" x 72-1/2"	Natural	110 lb
0239966	FAW-40-SPP LP	40,000	14-1/8" x 10-3/8" x 72-1/2"	LP	110 lb



FAW



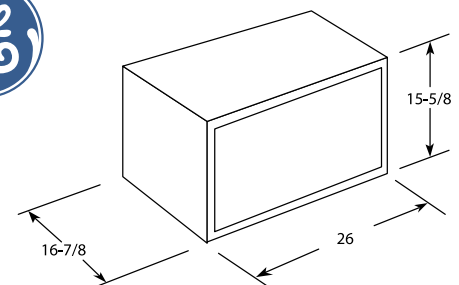
## GE® ENERGY STAR® 230/208 Volt Built-In Room Air Heat/Cool Unit



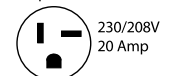
AJHS10DCC  
GE® 230/208 Volt Built-In Heat Pump

#### Features and Benefits

- 10,000/9,800 BTU
- 9,700/9,500 BTU pump
- 11,600/9,500 BTU strip
- 9.5/9.5 EER
- 230/208 Volts
- Mechanical controls
- Variable position thermostat
- Four-way air direction
- Up-front, washable air filter
- 2 cool/2 heat/2 fan only speeds
- Model AJHS10DCC – Soft Gray



Perpendicular



**0143200** Heat/Cool Unit

**0143201** Sleeve

K-5

Specifications Subject to Change without Notice

## R6GD 13 SEER, R-410A Single Packaged Gas/Electric Units 2 Ton thru 5 Ton Units

The R6GD Series single packaged gas/electrics are high efficiency self contained cooling units that can be installed on the roof or on a slab. The convertible unit design makes installations simple in all applications. Units are ETL and ETLc listed.



- Compact Footprint/Low Profile Easy to handle and transport.
- Heavy-Gauge, Full Perimeter Base Rails Facilitates forklift handling and curb mounting.
- Convertible Air Delivery Horizontal or downflow to accommodate rooftop or horizontal application.
- Galvanized Steel Cabinet with Polyurethane finish provides 950 hour salt spray protection to resist corrosion.
- Plastic Coated Coil Guard and Mesh Hail Guard Will never rust and protect the coil from being damaged by balls, lawn mowers, hail etc.
- Accessible Service Ports Quick access to refrigerant system without disrupting operation.
- Access to Controls and Major Components Easy in and out service.
- R-410A Refrigerant Environmentally friendly.
- Corrosion-Resistant Drain Pan Quickly drains away evaporator condensate.
- Smaller Panels, Great Fit and Finish, Total Seal Well-designed, quality construction. Drip edge on top panels whisks away rainwater. Embossed bottom pan keeps blower component compartment dry.
- Proven, Industry Standard Components Easier service and availability.
- Quiet Operation Low vibration. 20" fan blade combined with custom venturi condenser fan.
- High/Low Pressure Switch Added compressor protection.
  - 1 year limited parts warranty.
  - 1 year limited labor warranty.
  - 10 year limited compressor warranty.

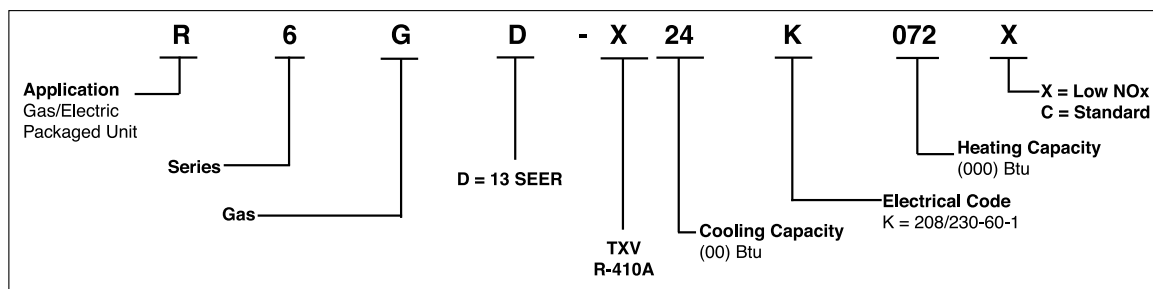
Stock #	R6GD Model #	Cooling BTUH	Output Heating BTUH	Dimensions L x W x H	Refrigerant Charge oz.	Shipping Weight
0104167	X30K-072C	28,400	57,600	55.8" x 47.5" x 39"	96	450 lbs.
0104168	X36K-096C	36,000	76,800	55.8" x 47.5" x 39"	112	495 lbs.
0104169	X42K-096C	42,000	76,800	55.8" x 47.5" x 39"	115.2	525 lbs.
0104170	X48K-096C	42,000	76,800	55.8" x 47.5" x 43"	224	550 lbs.

### (Accessories on Pg K-11 & K-12)

### US LP gas conversion kit

0102858 (Mfr.# 904090A)

#### MODEL IDENTIFICATION CODE



# P5RD Series



## Single Packaged Air Conditioner, Single Phase

### 13 SEER, R-410A, 2 thru 5 Ton Units

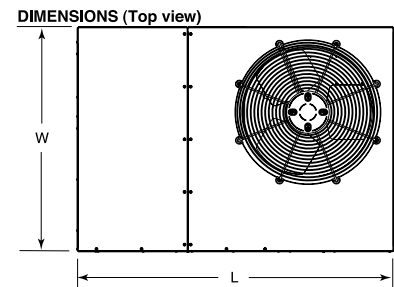
### Cooling: 24,000 to 60,000 Btu/h

The P5 Series single packaged air conditioners are high efficiency self contained cooling and heating units that can be installed on a slab. Units are ETL and ETLc listed.



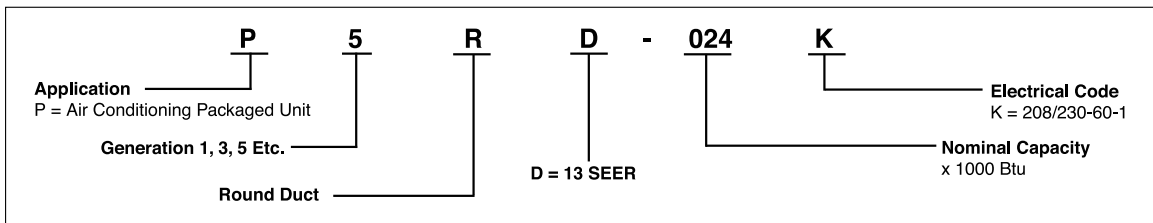
- State-of-the-art scroll compressor is standard equipment.
- A wire coil guard and mesh hail guard that will never rust protects the coil from being damaged by balls, lawn mowers, hail, etc.
- Designed using galvanized steel with a polyester urethane coat finish. The 950 hour salt spray finish resists corrosion 50% better than comparable units.
- Designed to make servicing easier for the contractor, access panels are provided to all major components.
- Both indoor and outdoor coils are designed to optimize heat transfer, minimize size and cost, and increase durability and reliability.
- 0" clearance to combustibles on duct side of the unit allows for installations in tight areas.
- The service valves are easily accessible and simplify servicing of the refrigeration system.
- Easy access to evaporator for cleaning and general maintenance.
- R-410A Refrigerant environmentally friendly
- High and low pressure switches added compressor protection.
- Drain trap design optimizes drainage capabilities.
- Easy to install electric heat strip provides up to 20 kw of heat output.
- Compact footprint and profile make the P5 Series easy to install and transport.
- 1 year limited parts warranty.
- 1 year limited labor warranty.
- 10 year limited compressor warranty.

Stock #	P5RD Model #	Cooling BTUH	Dimensions L x W x H	Refrigerant Charge oz.	Shipping Weight
0104086	024K	24,000	49" x 35" x 30.2"	125	290 lbs.
0104087	030K	30,000	49" x 35" x 30.2"	128	295 lbs
0104088	036K	35,400	49" x 35" x 30.2"	147.2	295 lbs
0104089	042K	41,000	49" x 35" x 30.2"	126.4	312 lbs
0104090	048K	47,500	49" x 35" x 30.2"	155.2	318 lbs
0104091	060K	55,000	49" x 35" x 34.2"	148.8	348 lbs



Return Diameter: 14"; Supply Diameter: 12"

### MODEL IDENTIFICATION CODE



## Heater Kit Matrix

Identification codes for heater kits on page K-12

Stock #	Mfg. #	Model #	024K	030K	036K	042K	048K	060K
S.O.	917166B	H3HK-005H-01B	X	X	X	X	X	X
S.O.	917167B	H3HK-008H-01B	X	X	X	X	X	X
0103110	917168B	H3HK-010H-01B	X	X	X	X	X	X
0103111	917169B	H3HK-015H-01B	NA	X(2)	X(2)	X(2)	X(2)	X(2)
0103112	917170B	H3HK-020H-01B	NA	NA	NA	X(2)	X(2)	X(2)
0103113	917172B	H3HK-015H-21B	NA	X	X	X	X	X
0103114	917173B	H3HK-020H-21B	NA	NA	NA	X	X	X

( ) = Number of internal circuit breakers required. See accessories page K-12

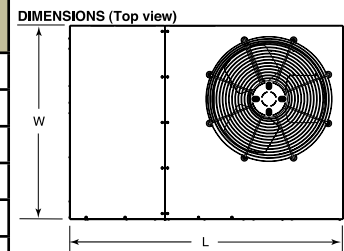
## Single Packaged Heat Pump, Single Phase 13 SEER, R-410A, 2 thru 5 Ton Units Cooling: 24,000 to 56,000 Btuh Heating: 24,000 to 54,500 Btuh

The Q5 Series single packaged heat pumps are high efficiency self contained cooling and heating units that can be installed on a slab. Units are ETL and ETLc listed.



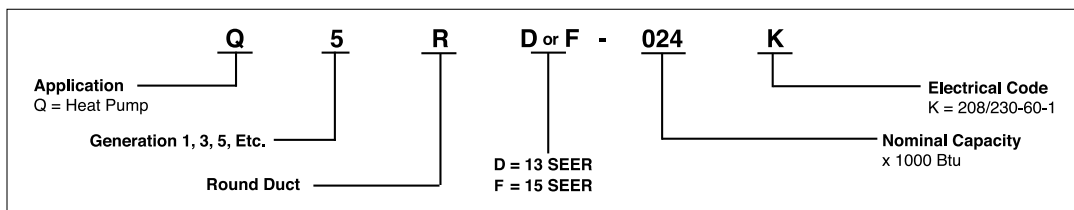
- State-of-the-art Copeland Scroll compressor: Is standard equipment.
- Designed using galvanized steel: With a polyester urethane coat finish. The 950 hour salt spray finish resists corrosion 50% better than comparable units.
- Both indoor and outdoor coils: Are designed to optimize heat transfer, minimize size and cost, and increase durability and reliability.
- The service valves are easily accessible: And simplify servicing of the refrigeration system.
- A wire coil guard and mesh hail guard that will never rust: Protects the coil from being damaged by balls, lawn mowers, hail, etc.
- High and low pressure switches: Added compressor protection.
- Suction Accumulator: Protection from liquid flood back and future compressor failures.
- Time / Temperature Defrost: A reliable, industry standard control offers various time settings to meet any type climate.
- Five Minute Restart Time Delay: When the unit shuts down, a five minute delay keeps the unit from restarting, eliminating the highest cause for compressor failure.
- 1 year limited parts warranty.
- 1 year limited labor warranty.
- 10 year limited compressor warranty.

Stock #	Q5RD Model #	Cooling BTUH	Heating BTUH	Dimensions L x W x H	Refrigerant Charge oz.	Shipping Weight
0104092	024K	24,000	24,000	49" x 35" x 22.2"	102.4	295 lbs.
0104093	030K	28,600	26,600	49" x 35" x 30.2"	128	335 lbs.
0104094	036K	35,600	34,000	49" x 35" x 30.2"	137.6	340 lbs.
0104095	042K	40,500	40,000	49" x 35" x 30.2"	132.8	355 lbs.
0104096	048K	46,000	44,500	49" x 35" x 34.2"	179.2	385 lbs.
0104097	060K	56,000	54,500	49" x 35" x 38.2"	200	385 lbs.



Return Diameter: 14" (12" for 024K); Supply Diameter: 12"  
For emergency back-up heat, applicable heater kit must be installed. Kits sold separately.

### MODEL IDENTIFICATION CODE



## Heater Application Matrix\*

Identification codes for heater kits [on page K-12](#)

Stock #	Mfg. #	Model #	024K	030K	036K	042K	048K	060K
S.O.	917166B	H3HK-005H-01B	X(0)	X(0)	X(0)	X(0)	X(2)	X(2)
S.O.	917167B	H3HK-008H-01B	X(0)	X(0)	X(2)	X(2)	X(2)	X(2)
0103110	917168B	H3HK-010H-01B	X(2)	X(2)	X(2)	X(2)	X(2)	X(2)
0103111	917169B	H3HK-015H-01B	NA	X(2 or 3)	X(2 or 3)	X(2 or 3)	X(2 or 3)	X(2 or 3)
0103112	917170B	H3HK-020H-01B	NA	NA	NA	X(3)	X(3)	X(3)
0103113	917172B	H3HK-015H-21B	NA	X(0 or 1)	X(0 or 1)	X(0 or 1)	X(0 or 1)	X(0 or 1)
0103114	917173B	H3HK-020H-21B	NA	NA	NA	X(1)	X(1)	X(1)

For emergency back-up heat, applicable heater kit must be installed. Kits sold separately.

\* NA = Not Approved  
( ) = No. of internal circuit breaker kits required.  
X = Branch circuit protection only

NOTE: Blower performance heating values based on 10kw heater kit for 024k, 030k, and 036k. 15kw values used for 042k and 048k.



# P5RF Series



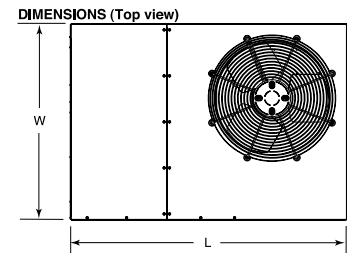
## Single Packaged Air Conditioner, Single Phase 15 SEER, 12 EER, R-410A, 2 thru 5 Ton Units Cooling: 24,000 to 57,500 Btuh

The P5 Series single packaged air conditioners are high efficiency self contained cooling and heating units that can be installed on a slab. Units are ETL and ETLc listed.



- State-of-the-art Copeland ultra-tech Scroll compressor: Provides two stage heat/cool
- Designed using galvanized steel: With a polyester urethane coat finish. The 950 hour salt spray finish resists corrosion 50% better than comparable units.
- Both indoor and outdoor coils: Are designed to optimize heat transfer, minimize size and cost, and increase durability and reliability.
- The service valves are easily accessible: And simplify servicing of the refrigeration system.
- R-410A Refrigerant: Environmentally friendly
- A wire coil guard and mesh hail guard: That will never rust protects the coil from being damaged by balls, lawn mowers, hail, etc.
- Designed to make servicing easier: For the contractor, access panels are provided to all major components.
- 0" clearance: To combustibles on duct side of the unit allows for installations in tight areas.
- Easy access: To evaporator for cleaning and general maintenance.
- High and low pressure switches: Added compressor protection.
- Drain trap: Design optimizes drainage capabilities.
- Easy to install: Electric heat strip provides up to 20 kw of heat output.
- Compact footprint and profile: Make the P5 Series easy to install and transport.

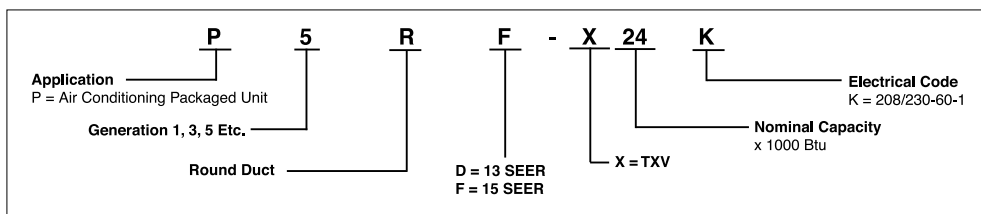
- Compressor sound blanket is standard.
- Energy efficient: Brushless DC (ECM) blower motor.
- 1 year limited parts warranty.
- 1 year limited labor warranty.
- 10 year limited compressor warranty.



Stock #	Mfg. #	P5RF Model #	Cooling BTUH	Heating BTUH	Dimensions L x W x H	Refrigerant Charge oz.	Shipping Weight
0108005	920880	X24K	24,000	24,000	49" x 35" x 30.2"	128	295 lbs.
0108006	920881	X36K	35,400	26,600	49" x 35" x 30.2"	131	295 lbs.
0108007	920882	X48K	47,500	34,000	49" x 35" x 38.2"	171.2	395 lbs.
0108008	920883	X60K	57,500	40,000	63" x 35" x 38.2"	240	430 lbs.

Return Diameter: 14"; Supply Diameter: 12". For emergency back-up heat, applicable heater kit must be installed. Kits sold separately.

### MODEL IDENTIFICATION CODE



## Heater Application Matrix\*

Identification codes for heater kits on page K-12

Stock #	Mfg. #	Model #	X24K	X36K	X48K	X60K
S.O.	917166B	H3HK-005H-01B	X	X	X	X
S.O.	917167B	H3HK-008H-01B	X	X	X	X
0103110	917168B	H3HK-010H-01B	X	X	X	X
0103111	917169B	H3HK-015H-01B	NA	X(2)	X(2)	X(2)
0103112	917170B	H3HK-020H-01B	NA	NA	X(2)	X(2)
0103113	917172B	H3HK-015H-21B	NA	X	X	X
0103114	917173B	H3HK-020H-21B	NA	NA	X	X

\* NA = Not Approved  
( ) = No. of internal circuit breaker kits required.  
X = Branch circuit protection only

NOTE: Blower performance heating values based on 10kw heater kit for 024k, 030k, and 036k. 15kw values used for 042k and 048k.

## Single Packaged Heat Pump, Single Phase 15 SEER, 12 EER, 8.0 HSPF, R-410A, 2 thru 5 Ton Units Cooling: 24,000 to 46,500 Btuh Heating: 23,000 to 44,000 Btuh



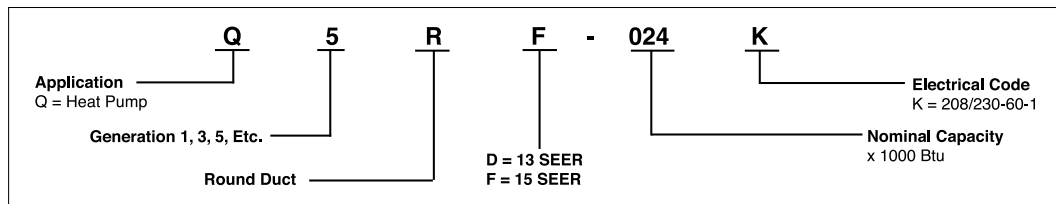
The Q5 Series single packaged heat pumps are high efficiency self contained cooling and heating units that can be installed on a slab. Units are ETL and ETLc listed.

- State-of-the-art Copeland Ultra: Tech Scroll compressor provides two stage heat/cool.
- Designed using galvanized steel: With a polyesterurethane coat finish. The 950 hour salt spray finish resists corrosion 50% better than comparable units.
- Both indoor and outdoor coils: Are designed to optimize heat transfer, minimize size and cost, and increase durability and reliability.
- The service valves are easily accessible: And simplify servicing of the refrigeration system.
- R-410A refrigerant: Environmentally friendly.
- A wire coil guard and mesh hail guard that will never rust: Protects the coil from being damaged by balls, lawn mowers, hail, etc.
- 0" clearance to combustibles: On duct side of the unit allows for installations in tight areas.
- High and low pressure switches: Added compressor protection.
- Suction Accumulator: Protection from liquid flood back and future compressor failures.
- Demand defrost standard: Provides additional energy savings in heating by defrosting only when necessary.
- Quiet operation and low vibration: 20" fan blade combined with custom Venturi condenser fan.
- Compressor sound blanket is standard.
- Three Minute Restart Time Delay: When the unit shuts down, a three minute delay keeps the unit from restarting, eliminating the highest cause for compressor failure.
- Protected Distributor Tubes: Both indoor and outdoor coils include very high abrasion resistance fiberglass sleeves to prevent leaks from tubing rubbing together.
  - 1 year limited parts warranty.
  - 1 year limited labor warranty.
  - 10 year limited compressor warranty.

Stock #	Q5RF Model #	Cooling BTUH	Heating Btuh 47°F	Dimensions L x W x H	Refrigerant Charge oz.	Shipping Weight
0108000	X24K	24,000	23,000	49" x 35" x 30.2"	140	335 lbs.
0108001	X36K	34,600	34,600	49" x 35" x 30.2"	163	340 lbs.
0108002	X48K	46,500	44,000	49" x 35" x 38.2"	197	385 lbs.
0108003	X60K	46,500	44,000	63" x 35" x 38.2"	240	435 lbs.

For emergency back-up heat, applicable heater kit must be installed. Kits sold separately.

### MODEL IDENTIFICATION CODE



## Heater Application Matrix\*

Identification codes for heater kits [on page K-12](#)

Stock #	Mfg. #	Model #	X24K	X36K	X48K	X60K
S.O.	917166B	H3HK-005H-01B	X(0)	X(0)	X(2)	X(2)
S.O.	917167B	H3HK-008H-01B	X(0)	X(2)	X(2)	X(2)
0103110	917168B	H3HK-010H-01B	X(2)	X(2)	X(2)	X(2)
0103111	917169B	H3HK-015H-01B	NA	X(2 or 3)	X(2 or 3)	X(2 or 3)
0103112	917170B	H3HK-020H-01B	NA	NA	X(3)	X(3)
0103113	917172B	H3HK-015H-21B	NA	X(0 or 1)	X(0 or 1)	X(0 or 1)
0103114	917173B	H3HK-020H-21B	NA	NA	X(1)	X(1)

\* NA = Not Approved  
( ) = No. of internal circuit breaker kits required.  
X = Branch circuit protection only

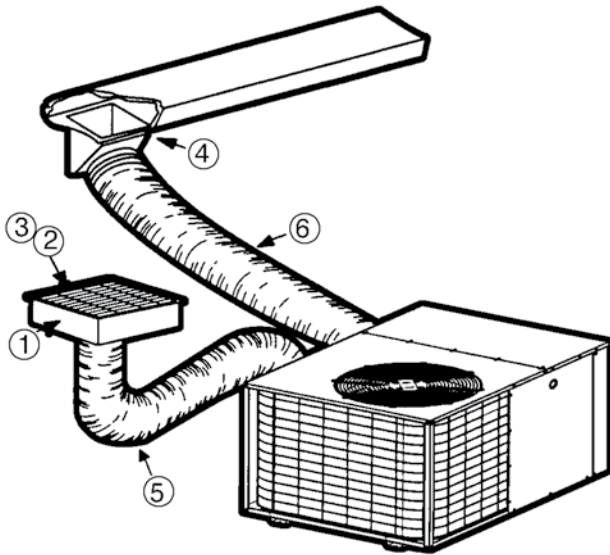
NOTE: Blower performance heating values based on 10kw heater kit for 024k, 030k, and 036k. 15kw values used for 042k and 048k.

# Self-Contained Accessories

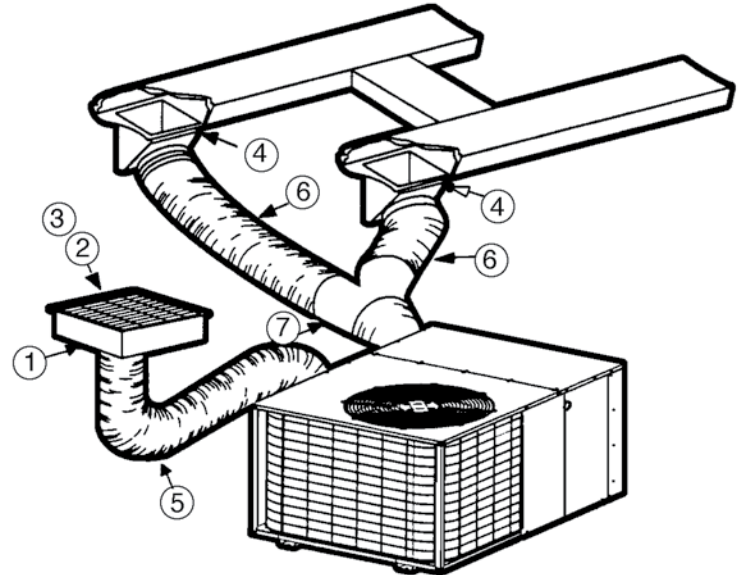


## Sheet Metal System Reference Description

- 1 12" x 12" Return Air
- 2 16" x 20" Air Filter
- 3 12" x 20" Grille
- 4 Supply Damper
- 5 12" or 14" Dia. Flex Return Duct
- 6 12" Dia. Flex Supply Duct
- 7 12" x 12" x 12" "Y" fitting



Single Wide Application



Double Wide Application

## Sheet Metal Systems

Stock #	Description
0100913	Single Wide Fittings Kit (Ref. 1, 2, 3 and 4)
0100917	Single Wide Fittings Kit with 12" Supply and 14" Return (Ref. 1, 2, 3 and 4)
0100914	Double Wide Kit for 2T HP w/12" connections (Ref. 1,2,3,4 & 6)
0100915	Double Wide Fittings Kit for 14" gas pack w/14" connections
0100918	Double Wide Fittings Kit with 14" return and 12" supply (Ref. 1, 2, 3 and 4) for A/C & HP
0103146	12" Return Box (Ref. 1)
0103153	14" Air Return Box
0100916	14" x 14" x 14" Y-Fitting
0103152	12" x 12" x 12" Y-Fitting (Ref. 7)
0103151	14" x 12" x 12" Y-Fitting

Stock #	Description
0103148	12" x 20" Grill (Ref. 3)
0100235	14" Duct Collar
0100360	12" Starter Collars
0100361	14" Starter Collars
0103150	12" Supply Fitting (Ref. 4)
0103149	14" Supply Fitting (Ref. 4)
0103131	16" x 20" Hog Hair Filter (Ref. 2)
0103160	16" x 14" Reducer Adapter
0103154	14" - 12" Reducer Adapter
0103155	10" - 12" Reducer Adapter
0101227	12" Duct Collar f/Nordyne
0100362	12" Flex Connector
0103073	14" Flex Adaptor Kit Square to Round

## Accessories

Stock #	Mfg. #	Description	Use With
0103001	903992	Heat/Cool Thermostat	All A/Cs
0103004	919604	HP Thermostat	
0238128	901996A	Automatic Damper	M Series Furnaces
0238221	902095	Base Damper	CMF
0237943	901083	Auto Damper	F/M Series Gas Furnaces w/Coil Cabinets & Nordyne Elec. Downflow Applications For Coil Cabinet M
0101107	912933	Universal Hard Start Kit Provides additional starting torque for the compressor motor when operating with low line voltage or high operating temperatures	All Models
0102858	904090A	LP Conversion Kit f/Gas Pack	R-4 & R-6 Series
0262508		48" Hvy. Dty. Cable ties for duct work	

## Duct Packages

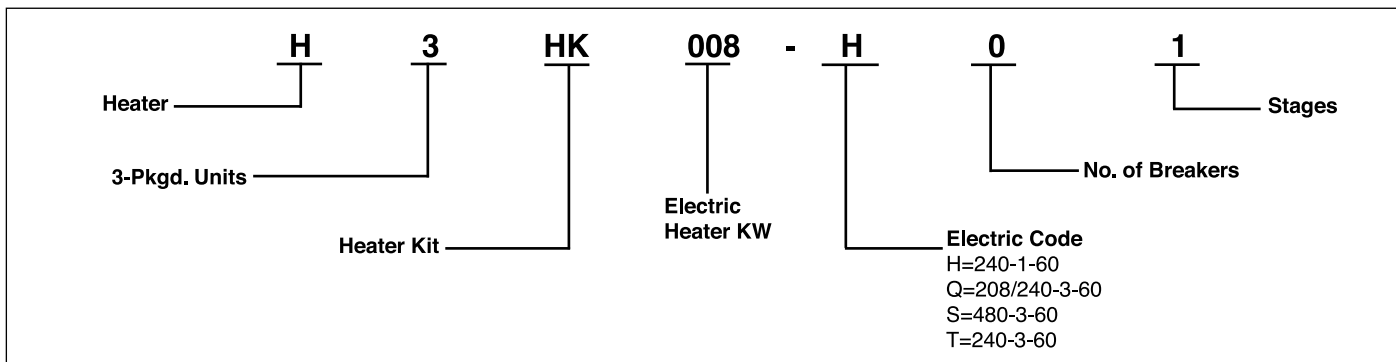
Description	R4.2	R6	R8
10" x 25' Duct	0103147		
12" x 7' Duct	0103141		
12" x 14' Duct	0103142		
14" x 20' Duct	0103143		
12" x 20' Duct	0103144		
12" x 25' Duct	0100908	0103157	0103138
14" x 7' Duct	0103140		
14" x 25' Duct	0103145	0103158	0103139

## Circuit Breaker/Adapters

Stock #	Mfg. #	Description
0101039	913350	4-Pole Single Adp
0101040	913556	6-Pole Single Adp
0101038	913554	2-Pole Brkr Single Phase



## Heater Kit Identification Codes



# DS4(B,Q)D-KA Series



## High Efficiency Air Conditioner, 13+ SEER Residential System 1.5 - 5 Ton Capacity

The DS4(B,Q)D-KA/B series now offers the choice of an air conditioner that uses more efficient and environmentally friendly refrigerant designated R-410A. The unit, when combined with our matched indoor coils, offers a full line of quality, split-system air conditioning systems. units are ideally sized for manufactured housing applications.



- R-410A Refrigerant – Earth friendly non-ozone depleting refrigerant.
- Permanently Lubricated Motor – A heavy duty PSC motor for long lasting reliability and quiet operation. Requires no maintenance and is completely protected from rain and snow.
- Removable Top Grille Assembly – Allows ease of service from the top without disconnecting fan motor leads.
- Composite Base Pan – Absorbs sound and corrosion resistant. Composite is also stronger and lighter than steel.
- One Piece Top/Orifice – Designed for maximum airflow and quiet operation.
- Easy Compressor and Control Access
- Designed to make servicing easier for the contractor, access panels are provided to all controls and the compressor from the side of the unit.
- Compressor – All models utilize quiet and efficient Copeland Scroll Compressors.
- Durable, Attractive Cabinet – Designed using galvanized steel with a polyurethane finish. the 950 hour salt spray finish is 1.5 mil thick and resists corrosion 50% better than comparable units.
- Steel Guard™ – Protects the unit coil from being damaged by balls, lawn mowers, hail, etc.
- High Pressure Switch – Protects against abnormally high system pressures. Auto-reset feature prevents nuisance service calls.
- Liquid Line Filter Drier – Included with outdoor unit.
  - 1 year limited parts warranty
  - 5 year compressor warranty
  - 1 year mileage warranty
  - 1 year labor warranty

## Air Conditioner Condenser - 13 SEER.

Braze Stock #	Quick Connect Stock #	Model #	Cooling Capacity	Seer Rtg.	Refr. Ozs.**	Delay Fuse Max	Total Amps	Dimensions H x W x D	Ship. Wght.
0102201	0107500	DS4(B,Q)D-024KB	24,000	13	90	25	13.5	23" x 22.75" x 22.75"	130
0102202	0107501	DS4(B,Q)D-030KB	29,400	13	96	30	14.8	27" x 23.75" x 22.75"	144
0102203	0107502	DS4(B,Q)D-036KB	35,400	13	104	35	17.8	27" x 23.75" x 22.75"	146
0102204	0107503	DS4(B,Q)D-042KA	39,500	13	124	40	19.31	31" x 30.75" x 30.75"	196
0102205	0107504	DS4(B,Q)D-048KA	45,000	13	127	50	23.2	31" x 30.75" x 30.75"	196
0102206	0107505	DS4(B,Q)D-060KA	58,000	13	160	60	27.6	43" x 30.75" x 30.75"	228

### Start Assist Kit

Provides additional starting torque for the compressor motor when operating with low line voltage or high operating temperatures.

**0101107** (Mfr.# 912933)

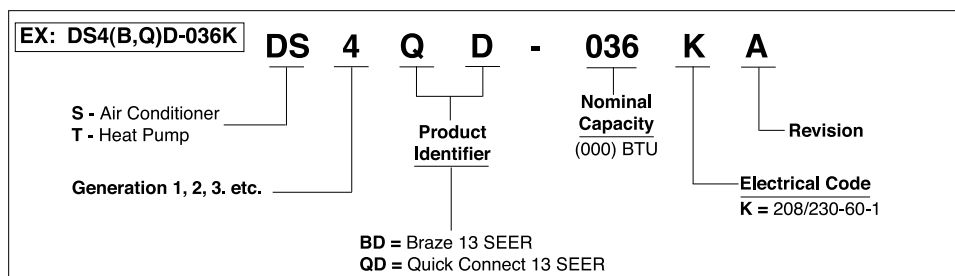
### Fan Delay Kit (TDR)

80-second fan delay

**0103085** (Mfr.# 911758)

See pages **K-17 & K-18** for coils and line sets

### MODEL IDENTIFICATION CODES



# DT4(B,Q)D Series



## High Efficiency Heat Pumps, 13+ SEER Residential System 1.5 - 5 Ton Capacity

The DT4(B,Q)D Series now offers the choice of a heat pump that uses a more efficient and environmentally friendly refrigerant designated R-410A. The heat pump, when combined with our engineered matched indoor coils, offer a full line of quality, split-system heat pumps. Units are ideally sized for manufactured housing applications.

- Warranty – The best in the industry
  - 1 year limited parts
  - 5 year compressor
  - 1 year mileage
  - 1 year labor
- R-410A Refrigerant – Earth friendly non-ozone depleting refrigerant.
- Copper Tube / Aluminum Fin Coils – Both indoor and outdoor coils are designed to optimize heat transfer, minimize size and cost, and increase durability and reliability.
- Permanently Lubricated Motor – A heavy duty PSC motor for long lasting reliability and quiet operation. Requires no maintenance and is completely protected from rain and snow.
- Time / Temperature Defrost – A reliable, industry standard control offers various time settings to meet any type climate.
- Removable Top Grille Assembly – Allows ease of service from the top without disconnecting fan motor leads.
- Composite Base Pan – Absorbs sound and corrosion resistant. Composite is also stronger and lighter than steel.
- Steel Guard™ – Protects the unit coil from being damaged by balls, lawn mowers, hail, etc.
- One Piece Top/Orifice – Designed for maximum airflow and quiet operation.
- Common Suction Service Port – This port allows the contractor to read the suction pressure in all modes of operation without removing any panels, saving time and increasing serviceability.
- Five Minute Restart Time Delay – When the unit shuts down, a five minute delay keeps the unit from restarting, eliminating the highest cause for compressor failure.
- Suction Accumulator – Protection from liquid flood back and future compressor failures. All 12 seer H.P. have scroll compressors.
- Hot Gas Muffler – Reduces compressor noise and vibration.
- Easy Compressor and Control Access – Designed to make servicing easier for the contractor, access panels are provided to all controls and the compressor from the side of the unit.
- Durable, Attractive Cabinet – Designed using galvanized steel with a polyester urethane finish. The 950 hour salt spray finish is 1.5 mil thick and resists corrosion 50% better than comparable units.
- High Pressure Switch – Protects against abnormally high system pressures. Auto-reset feature prevents nuisance service calls.
- Liquid Line Filter Drier – Included with outdoor unit.



## Heat Pump Condenser - 13 SEER

Brze Stock #	Quick Connect Stock #	Model #	Cooling Capacity	Seer Rtg.	Refr. Ozs.**	Delay Fuse Max	Dimensions H x W x D	Ship. Wght.
0102208	0107506	DT4(B,Q)D-024K	23,600	13	138	30	35" x 30.75" x 30.75"	180
0102209	0107507	DT4(B,Q)D-030K	29,200	13	145	30	39" x 30.75" x 30.75"	185
0102210	0107508	DT4(B,Q)D-036K	35,400	13	168	35	43" x 30.75" x 30.75"	190
0102211	0107509	DT4(B,Q)D-042K	39,000	13	243	40	39" x 30.75" x 30.75"	260
0102212	0107510	DT4(B,Q)D-048K	45,000	13	248	45	43" x 30.75" x 30.75"	295
0102213	0107511	DT4(B,Q)D-060K	51,000	13	248	50	43" x 30.75" x 30.75"	305

See pages K-17 & K-18 for coils and line sets

### Start Assist Kit

0101107 (Mfr.# 912933)

### Fan Delay Kit (TDR)

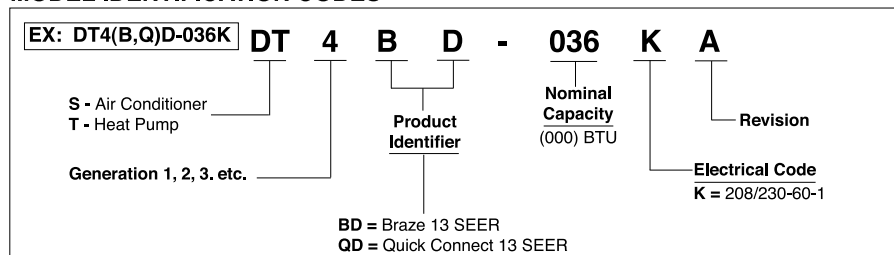
80-second fan delay

0103085 (Mfr.# 911758)

### 2-Stage Outdoor Thermostat

0102077 (Mfr.# 913235)

### MODEL IDENTIFICATION CODES



# DT4BE Series



## DT4BE Series 15+ SEER, R-410A High Efficiency Heat Pump, 1.5 - 5 Ton Capacity

The DT4BE Series now offers the choice of an heat pump that uses a more efficient and environmentally friendly refrigerant designated R-410A. The DT4BE Series of heat pumps offers exceptional performance. The unit, when combined with our engineered coils or air handlers, offers a full line of quality, split system cooling and heating equipment. When matched with our variable speed air handler, or our variable speed blower kits, the DT4BE is rated up to 15 SEER and 8.5+ HSPF. Units are ideally sized for slab or rooftop mounting in single, multifamily, and light commercial applications.



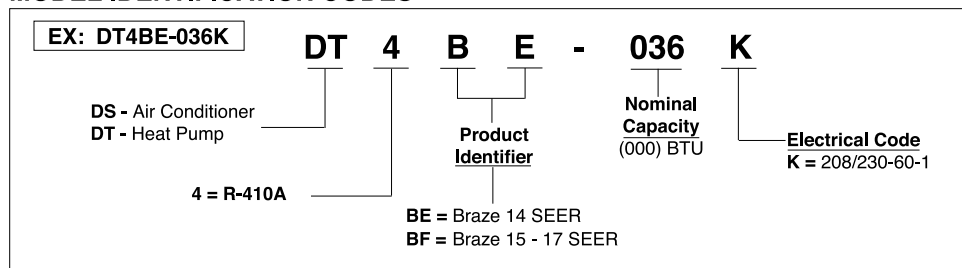
- Warranty – The best in the industry
  - 1 year limited parts
  - 5 year compressor
  - 1 year mileage
  - 1 year labor
- Composite Base Pan: Absorbs sound and is corrosion resistant. Composite is also stronger and lighter than steel.
- Copper Tube / Aluminum Fin Coils: Both indoor and outdoor coils are designed to optimize heat transfer, minimize size and cost, and increase durability and reliability.
- Permanently Lubricated Motor: A heavy duty PSC motor for long lasting reliability and quiet operation. Requires no maintenance and is completely protected from rain and snow.
- Removable Top Grille Assembly: Allows ease of service from the top without disconnecting fan motor leads.
- High Pressure Switch: Protects against abnormally high system pressures. Auto-reset feature prevents nuisance service visits.
- Liquid Line Filter Drier: Included with unit, field installed.
- One Piece Top/Orifice: Designed for maximum airflow and quiet operation.
- Easy Compressor and Control Access: Designed to make servicing easier for the contractor, access panels are provided to all controls and the compressor from the side of the unit.
- Steel Guard™: Protects the unit's coil from being damaged by balls, lawn mowers, hail etc.

Dimensions: 43"H x 30-3/4"W x 30-3/4"L

Stock #	Mfg. #	Model #	Cooling Capacity	Seer Rtg.	Refr. Ozs.**	Ship. Wght.
0108020	919661D	DT4BE-024K	24,000	14	166	189
0108021	919662D	DT4BE-030K	29,400	14	168	189
0108022	919663D	DT4BE-036K	35,400	14	174	191
0108023	919664D	DT4BE-042K	39,500	14	256	294
0108024*	919669D	DT4BF-048KA*	45,000	15	272	289
0108025*	919670D	DT4BF-060KA*	58,000	15	272	313

\* To meet tax credit requirements for 4 & 5 ton applications, utilize the DT4BF heat pump matched with a B4VM air handler. Note that these air handlers are "C" cabinet width, which is larger than the E3 footprint and may not fit all applications.

### MODEL IDENTIFICATION CODES



### Start Assist Kit

Provides additional starting torque for the compressor motor when operating with low line voltage or high operating temperatures.

0101107 (Mfr.# 912933)

### Fan Delay Kit (TDR)

80-second fan delay

0103085 (Mfr.# 911758)

### 2-Stage Outdoor Thermostat

0102077 (Mfr.# 913235)

### FSHE Blower Kit

0103084 (Mfr.# 904619)  
(B-Cabinet).

## B4VM-X Series, Air Handler with TXV 15+ SEER Residential System, High Efficiency Heat Pump 24,000 - 60,000 Btuh (Heat Pump & Air Conditioner) R-410A Refrigerant

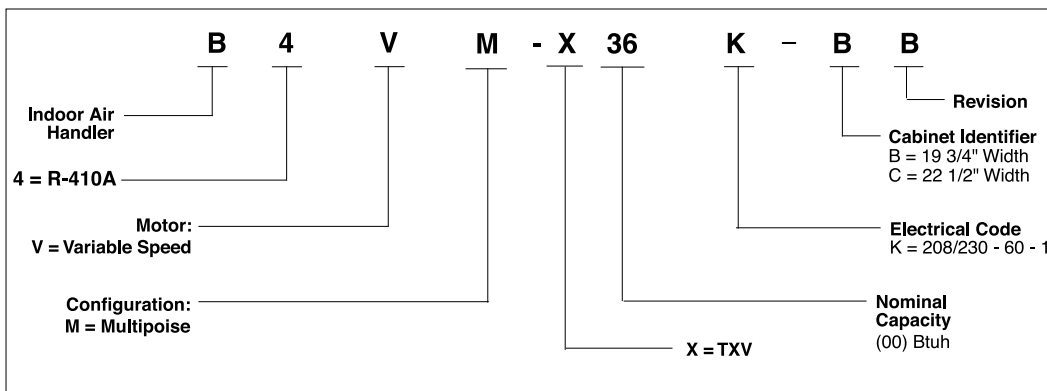
The B4VM-X Series of air handlers, when combined with our 2-stage heat pump or 2-stage air conditioner, offers a full line of quality, split system heating and cooling equipment.

- Warranty – The best in the industry
  - 1 year limited parts
  - 5 year compressor
  - 1 year mileage
  - 1 year labor
- Increased Efficiencies-Air conditioning and heat pump efficiencies up to 16 SEER and 8.5 HSPF.
- ECM Variable Speed Motor - Programmed to provide 12 field-selectable cooling airflows and 4 heating airflows to match any application.
- Quiet Blower Operation - Extra quiet and smooth blower on and off cycles.
- Constant airflow - Motor automatically adjusts to different static loads.
- Selectable delay profiles - Increases efficiency and comfort.
- Reduced air stratification - This results in improved air quality by optimizing humidity removal and filtration capabilities.
- Multi-posed - Can be used in horizontal, upflow, downflow and vertical applications.
- Built in Filter Rack - makes the air handler easy to service.
- Plug-in Heater Kits - Available in 5 kw through 30 kw (Not for use in 115 Volt units)
- Circuit Board – Incorporating blower time delay relay, low voltage terminal strip, and heat-strip sequencing.
- Breaker Accessibility - Breaker accessible from the front of the unit when heater is applied.
- Plastic Drain Pan - Provides corrosion resistance.
- Durable Cabinet - Galvanized steel with a polyurethane finish. The finish will endure 950 hours of salt spray and resist corrosion 50% better than comparable units.
- 2-Stage Cooling - ECM variable speed motor is programmed to operate at 75% of selected CFM when the system is operating in low stage cooling.
- Thermal Expansion Valve - Factory installed externally equalized thermal expansion valve provides precise refrigerant control under varying load conditions.
- Cabinet Insulation – 1" insulation with an R-value of 4.2 contributes to quiet operation and prevents cabinet sweating.



Stock #	Mfg. #	Model #	Seer Rtg.	Suction Dia.	Liquid Dia.	Ship. Wght.	H x W
0108032	920424D	B4VM-X-024B	15	3/4	3/8	120	43.5" x 19.75"
0108033	920425D	B4VM-X-036B	15	7/8	3/8	140	49.5" x 19.75"
0108030	920426D	B4VM-X-048C	15	7/8	3/8	170	56" x 22.5"
0108031	920427D	B4VM-X-060C	15	7/8	3/8	170	56" x 22.5"

### MODEL IDENTIFICATION CODE





- Upflow and counterflow applications
- Copper tubing with aluminum fins
- Quick connect refrigerant connections
- High efficiency fin design & rifle tubing
- Plastic long-life drain pan & fitting
- Coil pressurized
- Flap added over line set stubs for access to liquid line Schrader for testing

## Evaporator "A" Coil 410A

(includes drain hose & clamp)



Stock #	Mfg. #	Model #	L x W x H
---------	--------	---------	-----------

### Quick Connect Downturn

0107515	920688	C5QA-X25U-B	19-1/2" x 18-1/8" x 19"
0107516	920689	C5QA-X30U-B	19-1/2" x 18-1/8" x 19"
0107517	920690	C5QA-X36U-B	19-1/2" x 18-1/8" x 19"
0107518	920760	C5QA-X37U-B	19-1/2" x 18-1/8" x 25"
0107519	920691	C5QA-X42U-B	19-1/2" x 18-1/8" x 19"

### Mortex Coils Quick Connect

0107520	559576	CM4Q-53U	19-1/2" x 18-1/8" x 18.5"
0107521	559577	CM4Q-54U	19-1/2" x 18-1/8" x 18.5"
0107522	559578	CM4Q-56U	19-1/2" x 18-1/8" x 24.5"

### Braze - Horizontal Multipoise Coil

0102214	919628D	C5BA-X25U-B	19-1/2" x 18-1/8" x 19"
0102215	919512D	C5BA-X30U-B	19-1/2" x 18-1/8" x 19"
0102216	919513D	C5BA-X36U-B	19-1/2" x 18-1/8" x 19"
0102217	919630D	C5BA-X37U-B	19-1/2" x 18-1/8" x 25"
0102218	919514D	C5BA-X42U-B	19-1/2" x 18-1/8" x 25"

### Braze - Downturn Connections Coil

0102219	920695	C5DA-X25U-B	19-1/2" x 18-1/8" x 19"
0102220	920696	C5DA-X30U-B	19-1/2" x 18-1/8" x 19"
0102221	920697	C5DA-X36U-B	19-1/2" x 18-1/8" x 19"
0102222	920761	C5DA-X37U-B	19-1/2" x 18-1/8" x 25"
0102223	920698	C5DA-X42U-B	19-1/2" x 18-1/8" x 25"

### Mortex Coils Braze

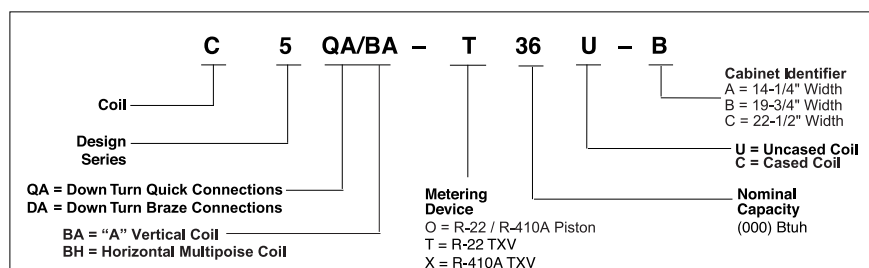
0102224	920573	CM4B-53U	19-1/2" x 18-1/8" x 18.5"
0102225	920574	CM4B-54U	19-1/2" x 18-1/8" x 18.5"
0102226	920575	CM4B-56U	19-1/2" x 18-1/8" x 24.5"

Designed specifically for use with certain models of manufactured housing downflow gas furnaces or electric furnaces in both downflow and upflow applications, where system is configured as a pull-through air application.

Efficiency and capacity ratings are listed in current ARI Unitary Directory for FB Coils matched with Nordyne brand outdoor condensing or heat pump units. Air conditioning coil matches are listed in INDOOR COIL MANUFACTURER air conditioning section. Heat pump coil matches are listed in INDOOR COIL MANUFACTURER heat pump section.

**For replacement R-22 A-Coils and Line Sets, see page K-33**

## C5 Coils Identification Codes



# Split System Accessories

Stock #	Mfg. #	Accessories	Notes:
0103088	902084	Insulation Kit	3500 Models, EB-B
0103011	902522	Wire Adapter Plug	3500 Models Coleman
0103001	903992	H/C Thermostat	All Systems
0103004	919664	HP Thermostat	
0101200	912349	O-Rings, 5/8; 10/Pk.	
0101201	912350	O-Rings, 3/4; 10/Pk.	
0100924	911656	Stub Kit, 5/8 - 3/8	For R-22 & R410A Line Sets
0100925	911657	Stub Kit, 3/4 - 3/8	For R-22 & R410A Line Sets
0100926	911658	Stub Kit, 7/8 - 3/8	For R-22 & R410A Line Sets
0100598	917763	Metal Filter F/C3QA A-Coil	15-7/8" x 19"
0100601	917416	Metal Filter F/C3QA A-Coil	16-5/16" x 25"
0100624	911328	Metal Filters F/C1QA A-Coil Only (2 ea)	16-3/4" x 19"
0100625	911329	Metal Filters F/C1QA A-Coils Only	17" x 23"
0103089	902039	Coil/Relay Adapter Package	3400, 4500
0100602	914649	C3 Conversion Kit (054)	FE, E1, E2 & E3
0100603	914539	C3 Conversion Kit (24-47, 55)	FE, E1, E2 & E3
0100604	914540	C3 Conversion Kit (48)	FE, E1, E2 & E3
0100605	917446	Conversion Kit F/37/43/48 Coils	FE, E1, E2 & E3
0103092	902828	A-Coil Shelf (PK6F Coleman)	EB-A, EB-B
0100606	291391	Hold Down Bracket	
0100607	224720	Hold Down Bracket	
0103085	918476	Time Delay Relay	
0100650	914762	Fos. Fuel Relay Kit f/Gas	
0102077	913852	Outdoor T-Stat Kit	
0104155	558171	Filter Kit f/ 42 -53 and -54 Coils	18" x 24"
0104156	558177	Filter Kit f/ -55 Coils	18-3/4" x 24-1/4"
0103205	903092A	2 Wire Relay Kit	M1 Furnaces

## Insulated Line Sets 410A

Stock #	Mfg. #	Suction Line ID	Length
0107525	920702	5/8"	15'
0107526	920703	3/4"	15'
0107527	920705	3/4"	20'
0107528	920706	7/8"	20'
0107529	920707	3/4"	25'
0107530	920708	7/8"	25'

Stock #	Mfg. #	Suction Line ID	Length
0107531	920709	3/4"	30'
0107532	920710	7/8"	30'
0107533	920712	7/8"	40'
0107534	920713	3/4"	50'
0107535	920714	7/8"	50'

NOTE: See "Outside Unit Installation Instructions" for factory-specified lineset.

## Braze 1/2" Insulated Line Sets 410A

Stock #	Mfg. #	Liquid OD	Suction OD	Length	Insulation
0102230	01-0334	3/8"	3/4"	20'	1/2"
0102231	01-0336	3/8"	3/4"	30'	1/2"
0102232	01-0340	3/8"	7/8"	20'	1/2"
0102233	01-0342	3/8"	7/8"	30'	1/2"
0102234	01-0345	3/8"	7/8"	50'	1/2"

Outdoor Improvements  
Anchors & Set-Up Material  
Doors & Windows  
Coatings & Cleaners  
Appliances  
Tools & Hardware  
Carpet & Flooring  
Electrical  
Plumbing  
Towing & Safety  
Heating & Cooling

# Specific Application for DT4 (B,Q)D Heat Pumps

## SYSTEM HEATING & COOLING CAPACITIES - 13 SEER — High Efficiency — Single Phase

### M1 & M3 (+ Coleman/Vexar Gas or Electric) 13 SEER

Outdoor Unit	Indoor Coil + TDR	Coil Height	Cooling Capacity	EER	HSPF	SCFM	(Btu/h) 47F°	(Btu/h) 17F°
							Capacity	Capacity
DT4(B,Q)D-018K	C5(B,D,Q)A-X25U-B	19"	18,000	11.05	7.7	625	18,000	10,600
DT4(B,Q)D-024K	C5(B,D,Q)A-X25U-B	19"	23,600	12.6	9.0	750	23,600	13,600
DT4(B,Q)D-030K	C5(B,D,Q)A-X30U-B	19"	29,200	12	8.0	850	30,000	18,000
DT4(B,Q)D-036K	C5(B,D,Q)A-X36U-B	19"	35,400	11.8	8.0	1180	36,000	23,000
DT4(B,Q)D-042K	CM4(B,Q)-53U	18 1/2"	39,000	11.5	8.0	1310	40,500	25,000
DT4(B,Q)D-048K	CM4(B,Q)-53U	18 1/2"	45,500	11.7	8.0	1400	46,500	30,000
DT4(B,Q)D-060K*	CM4(B,Q)-54U***	18 1/2"	51,000	11.5	7.6	1400	51,000	34,800

\* 5 ton condenser is not a valid Match with the M3      \*\*\* Requires 5 Ton Blower set at High Speed

### E3 13 SEER

Outdoor Unit	Indoor Coil + TDR	Coil Height	Cooling Capacity	EER	HSPF	SCFM	(Btu/h) 47F°	(Btu/h) 17F°
							Capacity	Capacity
DT4(B,Q)D-018K	C5(B,D,Q)A-X25U-B	19"	18,000	11.05	7.7	625	18,000	10,600
DT4(B,Q)D-024K	C5(B,D,Q)A-X25U-B	19"	23,600	12.6	9.0	750	23,600	13,600
DT4(B,Q)D-030K	C5(B,D,Q)A-X30U-B	19"	29,200	12	8.0	850	30,000	18,000
DT4(B,Q)D-036K	C5(B,D,Q)A-X36U-B	19"	35,400	11.8	8.0	1180	36,000	23,000
DT4(B,Q)D-036K	C5(B,D,Q)A-X37U-B	25"	35,400	11.8	8.0	1180	36,000	23,000
DT4(B,Q)D-042K	CM4(B,Q)-53U	18 1/2"	39,000	11.5	8.0	1310	40,500	25,000
DT4(B,Q)D-042K	CM4(B,Q)-54U	18 1/2"	41,500	11.7	8.0	1400	41,500	25,200
DT4(B,Q)D-048K	CM4(B,Q)-53U	18 1/2"	45,500	11.7	8.0	1400	46,500	30,600
DT4(B,Q)D-048K	CM4(B,Q)-54U	18 1/2"	46,500	12.0	8.0	1400	46,500	30,200
DT4(B,Q)D-060K	CM4(B,Q)-56U**	24 1/2"	53,000	11.7	8.0	1600	54,000	37,000

\*\* Requires 5 Ton Blower set at High Speed

# Specific Application for DT4BE Heat Pumps

## SYSTEM HEATING & COOLING CAPACITIES 14+ SEER — High Efficiency — Single Phase

Outdoor Unit	Indoor Unit	Cooling Capacity	SEER	EER	Heating Capacity Btu/h @ 47°F	HSPF	Nominal SCFM
DT4BE-018K	B4VM-X24K-(A,B)	19,000	15.0	13.5	18,800	8.5	675
DT4BE-024K	B4VM-X24K-(A,B)	23,400	15.0	13.5	24,600	8.6	675
DT4BE-030K	B4VM-X30K-B	28,400	15.0	13.5	29,400	8.7	960
DT4BE-036K	B4VM-X36K-B	34,800	15.0	13.5	33,600	8.8	1125
DT4BE-042K	B4VM-X48K-B	40,000	15.5	14.0	38,000	9.0	1300
DT4BE-048K	B4VM-X48K-B	45,500	14.0	12.6	44,000	8.5	1660
DT4BE-060K	B4VM-X60K-B	59,000	14.0	12.5	52,500	8.5	1660

All ratings are with time delay relay.

See current AHRI Directory for certified combinations and ratings. [www.ahridirectory.org](http://www.ahridirectory.org)

Outdoor Unit	Indoor TVX Coil Model	Indoor Unit	Cooling Capacity	SEER	EER	Heating Capacity Btu/h @ 47°F	HSPF	Nominal SCFM
DT4BE-024K	C5B(A,H)-X25(C,U)-B	E3EB(*)+FSHE	23,800	15	12.5	24,000	8.5	750
DT4BE-030K	C5B(A,H)-X30(C,U)-B	E3EB(*)+FSHE	27,600	15	12.5	29,000	8.5	885
DT4BE-036K	C5B(A,H)-X37(C,U)-B	E3EB(*)+FSHE	34,200	15	12.5	34,400	8.5	1200
DT4BE-042K	C5B(A,H)-X42(C,U)-B	E3EB(*)+FSHE	39,500	15	12.5	38,500	8.5	1340

# Specific Application for DS4(B,Q)D-KA A/C

SYSTEM HEATING & COOLING CAPACITIES - 13 SEER — High Efficiency — Single Phase

## M1 & M3 (+ Coleman/Vexar Gas or Electric)

Outdoor Unit	Indoor Coil + TDR	Coil Height	Cooling Capacity	SEER	EER	SCFM
DS4(B,Q)D-018KA	C5(B,D,Q)A-X25U-B	19"	18,000	13.0	11.5	525
DS4(B,Q)D-024KB	C5(B,D,Q)A-X25U-B	19"	24,000	13.0	11.5	700
DS4(B,Q)D-030KB	C5(B,D,Q)A-X30U-B	19"	29,400	13.0	11.5	950
DS4(B,Q)D-036KB	CM4(B,Q)-53U	18 1/2"	35,400	13.0	11.0	1150
DS4(B,Q)D-042KA	CM4(B,Q)-53U	18 1/2"	39,500	13.0	11.0	1260
DS4(B,Q)D-048KA	CM4(B,Q)-53U	18 1/2"	45,000	13.0	10.9	1400
DS4(B,Q)D-060KA*	CM4(B,Q)-54U*	18 1/2"	51,500	13.0	10.7	1460

\* 5 ton condenser is not a valid Match with the M3      \*\* Requires 5 Ton Blower on Med/High

## E3

Outdoor Unit	Indoor Coil + TDR	Coil Height	Cooling Capacity	SEER	EER	SCFM
DS4(B,Q)D-018KA	C5(B,D,Q)A-X25U-B	19"	18,000	13.0	11.5	525
DS4(B,Q)D-024KB	C5(B,D,Q)A-X25U-B	19"	24,000	13.0	11.5	700
DS4(B,Q)D-030KB	C5(B,D,Q)A-X30U-B	19"	29,400	13.0	11.5	950
DS4(B,Q)D-036KB	C5(B,D,Q)A-X36U-B	19"	34,600	13.0	11.5	950
DS4(B,Q)D-036KB	C5(B,D,Q)A-X37U-B	25"	36,000	13.0	11.5	1100
DS4(B,Q)D-042KA	C5(B,D,Q)A-X42U-B	*	40,500	13.0	11.7	1250
DS4(B,Q)D-048KA	CM4(B,Q)-53U	18 1/2"	45,000	13.0	10.9	1400
DS4(B,Q)D-048KA	CM4(B,Q)-56U***	24 1/2"	48,000	13.0	11.2	1600
DS4(B,Q)D-060KA	CM4(B,Q)-56U***	24 1/2"	55,000	13.0	11.1	1600

\* B,D=25", Q=19"      \*\*\* Requires 5 Ton Blower set at High Speed

**Notes:** \_\_\_\_\_  
 \_\_\_\_\_  
 \_\_\_\_\_  
 \_\_\_\_\_  
 \_\_\_\_\_  
 \_\_\_\_\_  
 \_\_\_\_\_  
 \_\_\_\_\_  
 \_\_\_\_\_  
 \_\_\_\_\_  
 \_\_\_\_\_  
 \_\_\_\_\_  
 \_\_\_\_\_  
 \_\_\_\_\_  
 \_\_\_\_\_  
 \_\_\_\_\_  
 \_\_\_\_\_  
 \_\_\_\_\_  
 \_\_\_\_\_

See current AHRI Directory for certified combinations and ratings. [www.ahridirectory.org](http://www.ahridirectory.org)

Outdoor Improvements  
Anchors & Set-Up Material  
Doors & Windows  
Coatings & Cleaners  
Appliances  
Tools & Hardware  
Carpet & Flooring  
Electrical  
Plumbing  
Towing & Safety  
Heating & Cooling

# Components for Specific Applications

These handy charts show what you need for specific models...

## Nordyne Electric

FEHA		
Heating blower in the FEHA Series Electric furnace can be used for up to 2 tons of cooling. For over 2 tons, use the 0103063 multi-speed blower		
Stock #	Mfg. #	Model #
0103087	901699	Relay - 5 Wire
0103063	901282	Multi-Speed Blower
0103001	903992	H & C T-stat
0100603	914539	Conv. Kit
0103086	901698	Relay - 2 Wire

FEHB		
FEHB Series comes with a 2-speed blower that can be used for up to 3 tons of cooling. For 4 tons, use the 0103063 multi-speed blower		
Stock #	Mfg. #	Model #
0103087	901699	Relay
0100603	914539	Conv. Kit
0103001	903992	H & C T-stat

FEBB		
FEBB Series includes A/C Blower (2 to 4 tons)		
Stock #	Mfg. #	Model #
0100603	914539	Conv. Kit
0103001	903992	H & C T-stat
0103087	901699	Relay Kit 5-Wire

E1EB/E2EB		
Stock #	Mfg. #	Model #
0100603	914539	Conv. Kit

E1EH 2.5 Ton to 3 Ton		
Stock #	Mfg. #	Model #
0103048	902987	Relay
0103001	903992	H & C Thermostat
0100603	914539	Conv. Kit

E1EH 3.5 Ton to 4 Ton		
Stock #	Mfg. #	Model #
0103048	902878	Relay
0103049	902805	Blower
0100603	914539	Conv. Kit

## Nordyne Electric (continued)

E2EH • 2.5 to 3 Ton		
Stock #	Mfg. #	Model #
0103048	902987	Relay
0100603	914539	Conversion Kit
0103061	902991	Insulation Kit

E2EH • 3.5 to 4 Ton		
Stock #	Mfg. #	Model #
0103048	902987	Relay
0100603	914539	Conversion Kit
0103061	902991	Insulation Kit
0103041	902993	Blower Assembly

## Nordyne MG Gas Furnaces

MGH		
Stock #	Mfg. #	Model #
0103057	911030	Blower
0103001	903992	H & C Thermostat

MGHA-02, MMHA, MBHA, MSHA 2-3.5 T		
Stock #	Mfg. #	Model #
0103007	901998	Blower
0103010	901995	Relay
0103001	903992	H&C T-stat

MGHA-02, MMHA, MBHA, MSHA 4 T		
Stock #	Mfg. #	Model #
0103008	901999	Blower
0103010	901995	Relay
0103001	903992	H & C T-stat

MGHA-05 • 2.5 to 3.5 Ton		
Stock #	Mfg. #	Model #
0103005	902809	Blower
0103001	903992	H&C Thermostat

MGHA-05 • 4 Ton		
Stock #	Mfg. #	Model #
0103206	902898A	Relay
0103006	902810	Blower
0103001	903992	H&C Thermostat

# Components for Specific Applications

These handy charts show what you need for specific models...

## 5 Ton Blower Assemblies

Stock #	Mfg. #	Model #
0103060	902985	F/E2E
0103065	903944	F/Coleman Gas
0103044	903963	F/Coleman Elect. EB Motor & cap only to up-grade current 4T blower
0103202	903890	F/M1 Gas Furnace

## Nordyne M1 Gas Furnaces

M1GH • 2 Ton		
Stock #	Mfg. #	Model #
0103206	902898A	Relay

M1GH • 2 to 3 Ton		
Stock #	Mfg. #	Model #
0103200	903412	Blower
0103206	903773A	Relay

M1GH • 2 to 4 Ton		
Stock #	Mfg. #	Model #
0103201	903413	Blower
0103206	902898A	Relay

M1GH • 2 to 5 Ton		
Stock #	Mfg. #	Model #
0103202	903890	Blower
0103206	902898A	Relay

## Coleman Electric Furnace

EB-A		
Stock #	Mfg. #	Model #
0103087	901699	Relay
0103089	902039	Coil Support Adapter
0103001	903992	H&C T-stat
0103088	902084	Insulation Kit

EB-B		
Stock #	Mfg. #	Model #
0103092	902828	Coil Relay Adapter Kit
0103001	903992	H&C T-stat
0103088	902084	Insulation Kit

## Coleman Gas Furnaces

DGRT-AUA/DGAT-BDA 2 Ton to 3.5 Ton		
Stock #	Mfg. #	Model #
0103007	901998	Blower
0103010	901995	Relay
0103001	903992	H&C T-stat

DGRT-AUA/DGAT-BDA, BDD 4 Ton		
Stock #	Mfg. #	Model #
0103008	901999	Blower
0103009	901994	2W A/C Control (Relay)
0103010	901995	5W A/C Control (Relay)
0103001	903992	H&C T-stat

DGRT-AUB/DGAT-BDC 2 Ton to 3.5 Ton		
Stock #	Mfg. #	Model #
0103008	919999	Blower
0103011	902522	Adpt. Plug
0103001	903992	H&C T-stat

DGRT-AUB/DGAT-BDD 2 Ton to 3.5 Ton		
Stock #	Mfg. #	Model #
0103006	902810	Blower
0103011	902522	Adpt. Plug
0103001	903992	H&C T-stat

DGRT-AUB/DGAT-BDC 4 Ton		
Stock #	Mfg. #	Model #
0103008	901999	Blower
0103011	902522	Adapter Plug
0103001	903992	H&C T-stat

## Convertible Furnace Power Oil-Gas 65,000, 80,000 & 100,000 Btu/h



CMF Series is a classic and time-honored design, a versatile and reliable product incorporating a multi-speed blower and multi-fired burner. Classic design coupled with new technology make the CMF today's choice for a multi-application fossil fuel heating appliance.

- Three-speed, custom fit and painted blower configuration for efficient, quiet operation at all firing rates
- Titanium kilned process technology used in heat exchanger steel for extended life and durability
- Re-sized auxiliary limit switch for reliable cycling
- Beckett oil burners are standard equipment
- Classic 18" width dimension for those tight replacement jobs
- MA 100, MA 200, and CB 200 bases for versatility

### Heat Only Furnaces - Standard Flue

Vent Size: 4"

Stock#	Mfg. #	Model #	Burner Type	Btu/h Input	Btu/h Output	CFM @ .3	W x D x H	Weight
0238000	904515	CMF2 80PG	Gas Gun	80,000	64,000	800	18" x 24-1/4" x 57"	183
0238001	904516	CMF2 80PO	Oil Gun	80,000	64,000	800	18" x 24-1/4" x 57"	167

### Conversion Kits

Stock #	Mfg. #	Model #	Burner Type	Kit Includes:
0238002	903099	CMF80 to 65 PG	Gas Gun	Labels, orifices and air cone
0238003	903100	CMF80 to 65 PO	Oil Gun	Labels and nozzles
0238004	903101	CMF80 to 100 PG	Gas Gun	Labels and orifices
0238005	903102	CMF80 to 100 PO	Oil Gun	Labels, nozzles and burner head





# M1 Series Furnaces



## M1M\* Hot Surface Ignition M1B\* Gas Gun

The M1 Series furnace is designed for all sizes of manufactured and modular homes. These units incorporate high efficiency, reliability, and low maintenance. Units may be installed free standing in a utility room or enclosed in an alcove or closet. M1 Series furnaces are available in A/C adaptable or A/C ready, with or without coil cavity box, multiple blower combinations for cooling requirements, and many burner options.

- Sealed Combustion System: Vents exhaust gas directly outdoors and draws in 100% outside air for the burner.
- High Efficiency Drum Heat Exchanger: Delivers optimum heat transfer with low air resistance.
- Easy Open Pawl Latch: Secures the door firmly for transit, yet allows easy removal for access.
- Appliance Quality Door: Protects against rust and other corrosion. Baked enamel finish allows for easy cleaning.
- Choice of Air Conditioning Options: From 2 to 5 tons A/C ready.
- Fully Insulated Cabinet: Insures minimized heat loss and quiet operation.
- Large, Effective Air Filter: Room air is cleaner with this permanent washable filter.
- Reliable Burner: With uniform flame pattern extends life of heat exchanger.



## Furnace, Forced Draft Gas

56,000 to 90,000 Btu/h, Heating, A/C Relay (no coil cabinet)

Stock #	Mfg. #	Model #	Burner Type	Output Btu/h	AFUE	Wght.	W x D x H
0233015	903230	M1MB-077AAW	Hot Sur. Ign.	62,000	80.0	149	19-3/4" x 23-3/4" x 56"
0233016	903231	M1MB-090AAW	Hot Sur. Ign.	72,000	80.0	151	19-3/4" x 23-3/4" x 56"

56,000 to 90,000 Btu/h With Coil Cabinet & A/C Ready up to 3 Tons

Stock #	Mfg. #	Model #	Burner Type	Output Btu/h	AFUE	Wght.	W x D x H
0233005	903236	M1MB-056ABW	Hot Sur. Ign.	46,000	80+	167	19-3/4" x 23-3/4" x 76"
0233006	903237	M1MB-070ABW	Hot Sur. Ign.	57,000	80+	168	19-3/4" x 23-3/4" x 76"
0233007	903238	M1MB-077ABW	Hot Sur. Ign.	62,000	80+	171	19-3/4" x 23-3/4" x 76"
0233008	903239	M1MB-090ABW	Hot Sur. Ign.	72,000	80+	166	19-3/4" x 23-3/4" x 76"

56,000 to 90,000 Btu/h, A/C Ready up to 3 Tons (no coil cabinet)

Stock #	Mfg. #	Model #	Burner Type	Output Btu/h	AFUE	Wght.	W x D x H
0233013	903228	M1MB-056AAW	Hot Sur. Ign.	46,000	80+	152	19-3/4" x 23-3/4" x 56"
0233014	903229	M1MB-070AAW	Hot Sur. Ign.	57,000	80+	153	19-3/4" x 23-3/4" x 56"

56,000 to 90,000 Btu/h With Coil Cabinet & A/C Ready up to 4 Tons

Stock #	Mfg. #	Model #	Burner Type	Output Btu/h	AFUE	Wght.	W x D x H
0232985	903240	M1MC-056ABW	Hot Sur. Ign.	46,000	80	171	19-3/4" x 23-3/4" x 76"
0232986	903241	M1MC-070ABW	Hot Sur. Ign.	57,000	80	172	19-3/4" x 23-3/4" x 76"
0232987	903240	M1MC-077ABW	Hot Sur. Ign.	62,000	80	171	19-3/4" x 23-3/4" x 76"
0232988	903243	M1MC-090ABW	Hot Sur. Ign.	72,000	80	171	19-3/4" x 23-3/4" x 76"

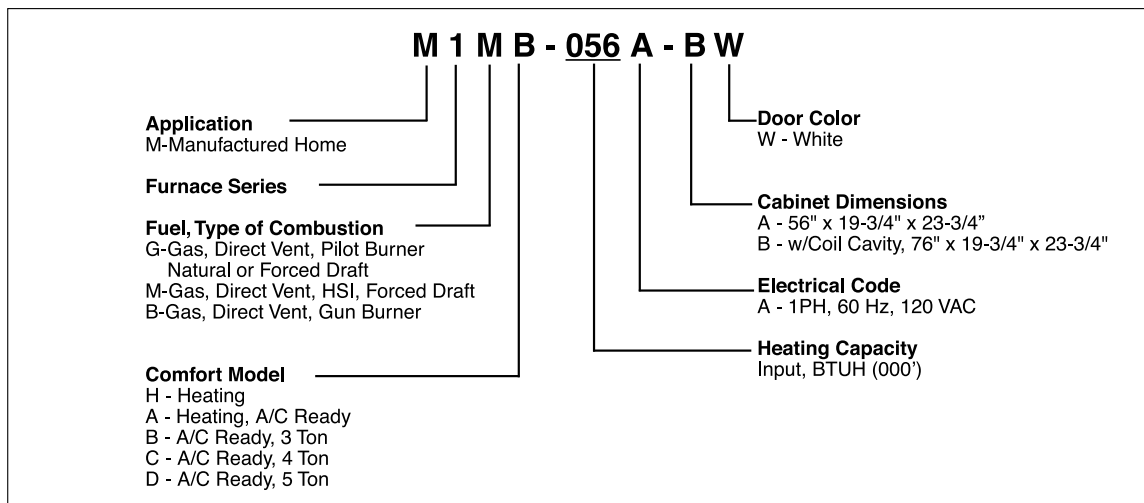
## Furnace Direct Vent, Gas Gun 66,000 & 86,000 Btu/h, Heating, A/C Relay

Stock #	Mfg. #	Model #	Burner Type	Btu/h	AFUE	Wght.	W x D x H
0233018	903270	M1BA-066AAW	Pressure w/ Elect. Ignition	56,000	82.2	149	19-3/4" x 24" x 56"
0233019	903255	M1BB-086AAW*	Pressure w/ Elect. Ignition	71,000	81.0	150	19-3/4" x 24" x 56"

\* A/C ready up to three tons

\*\* With coil cavity

### MODEL IDENTIFICATION



## Roof Jack Components - "Integrated" & Telescoping

Stock #	Mfg. #	Model #	Type	Flashing Dimensions	Flue Pipe Dia.	Pitch	For Use With:
0237948	903658	FAW1523-0A	Flat	15" min. - 23" max.	5"		All Miller/ Intertherm M1 Series Furnaces
0237949	903659	FAW2135-0A	Flat	21" min. - 35" max.	5"		
0237951	903660	FAW2747-0A	Flat	27" min. - 47" max.	5"		
0230077	903662	SAW2135-2A	Slope	21" min. - 35" max.	5"	2.5/12	
0237956	903663	SAW2747-2A	Slope	27" min. - 47" max.	5"	2.5/12	
0237954	903664	SAW3563-4A	Slope	35" min. - 63" max.	5"	2.5/12	
0237955	903666A	SAW5195-4A	Slope	51" min. - 95" max.	5"	4.0/12	
0237958	902521			Ceiling Ring			

**Additional accessories sold on K-29**

# M3RL Series



## High Efficiency/Direct Vent Condensing Downflow Gas Furnace M3RL

Induced Draft — 90+ AFUE Input  
60,000 & 80,000 Btuh (4 Ton A/C Ready)

- 100% fired and tested — all units and each component (both mechanical and electrical) are tested on the manufacturing line
- Clean and quiet operation — due to the unique design of in-shot burners, location of inducer and use of insulation
- Fixed 30-second blower delay at burner start-up assures a warm outlet air temperature at furnace start-up. Adjustable blower off settings
- Fixed 30-second post purge increases life of heat exchanger
- Dependable hot surface ignitor — Innovative application of an appliance-type ignitor with a 20-year history of reliability, assures no call-backs because of handling.
- Tubular primary heat exchanger — Heavy aluminized steel heat exchanger assures a long life.
- Stainless steel secondary heat exchanger assures a long life.
- 90-second fixed cooling cycle blower-off delay (TDR) increases cooling performance when matched with a NORDYNE coil
- Sealed combustion approved for direct vent furnace, category IV venting system — May be vertically or horizontally vented using a two-pipe system for maximum flexibility in installation.
- Multi-speed direct drive blower — Gives a wide range of cooling capacities. 40VA transformer included.
- LP convertible — Simple burner orifice and gas valve regulator change for ease of convertibility.
- Diagnostic light flashes identify limit failure, pressure switch failure and improper ground and polarization — easy trouble-shooting.
- 3 amp fuse protection against high and low voltage shorts; protects transformer and control board.
- Low voltage terminal board for easy field wiring.

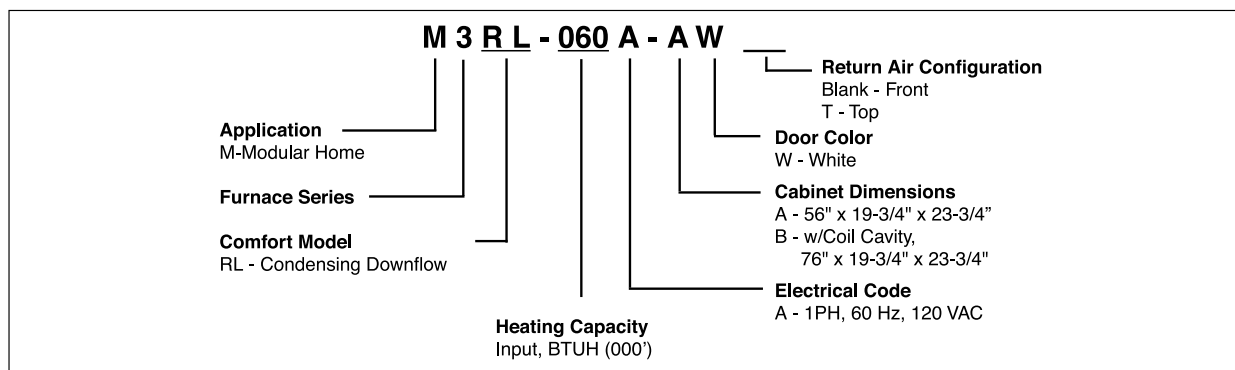


Stock #	Mfg. #	Model #	Shipping Weight
<b>0233036</b>	903954	M3RL-060A-AW (Short)	150
<b>0233037</b>	903955	M3RL-080A-AW (Short)	155
<b>0233038</b>	903956	M3RL-060A-BW (Tall)	170
<b>0233039</b>	903957	M3RL-080A-BW (Tall)	175

The M3RL will fit in the same footprint and uses the same plenum as the M1 furnaces. The design of the M3RL allows for direct substitution in place of the M1 series furnaces.

**Accessories sold on K-29**

### IDENTIFICATION CODE



## High Efficiency/Direct Vent or Non Direct Vent Condensing Upflow/Horizontal and Downflow Gas Furnace M4R (C and L Series)

Induced Draft — 92.1 AFUE Input 54,000 - 108,000 Btuh  
60,000 & 80,000 Btuh

- 100% fired and tested — all units and each component (both mechanical and electrical) are tested on the manufacturing line
- Best packaging in the industry — Unique corner post design assures product will arrive to the homeowner dent free.
- 30 second blower delay at start-up assures a warm duct temperature at furnace start-up. Adjustable blower off settings (60, 90, 120 and 180 seconds).
- 30 second post purge increases life of heat exchanger.
- Hot surface igniter — Innovative application of an appliance type igniter with a 20 year history of reliability. Utilizes proven Smartlite® technology.
- Color coded wire harness — Designed to fit the components, all with quick-connect fittings for ease of service and replacement.
- Flexible category IV venting system — May be vertically or horizontally vented using either a one-pipe or two-pipe system for maximum flexibility in installation.
- High Static Blowers — All models equipped with high static blowers.
- Low Boy Height — Easy to apply in low ceiling applications, works well with taller high SEER coils, easier to handle and install.
- Tubular primary heat exchanger — Heavy gauge aluminum steel heat exchanger and stainless steel secondary heat exchanger assures a long life.
- 90 second fixed cooling cycle blower-off delay (TDR) increases cooling performance when matched with a NORDYNE coil.
- High efficiency blower kits maximize efficiencies. On select units, a SEER improvement of up to 1 point is realized.
- Multi-speed direct drive blower — Designed to give a wide range of cooling capacities. Switches on PCB, provide ultra easy motor speed selection.
- LP convertible — Simple burner orifice and regulator spring change for ease of convertibility.
- Diagnostic lights for easy troubleshooting without counting flashes — Dedicated light for flame signal strength and 2 lights in combination to indicate all other fault codes with easy to recognize states without counting flashes.
- Incorporates integrated control board with connections for electronic air cleaner and humidifier.
- Two piece door design enhances furnace appearance and uses captured screws to prevent losing door screws.
- Seated vestibule reduces burner and inducer sound levels.



Stock #	Mfg. #	Model #	Shipping Weight
---------	--------	---------	-----------------

### 90% + Upflow Furnaces

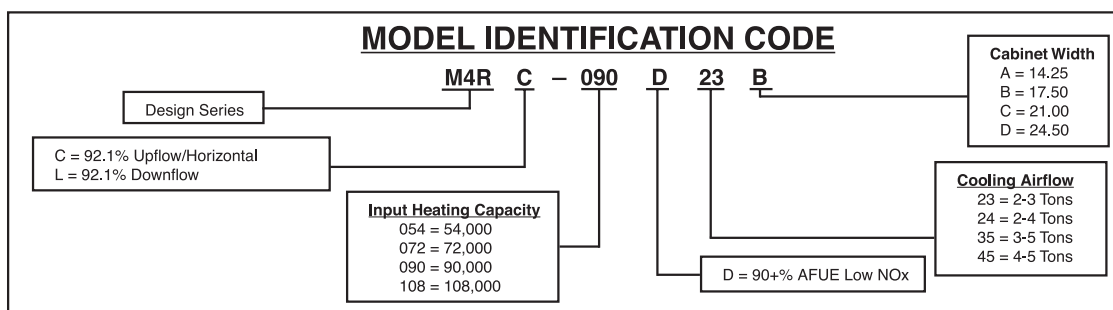
<b>0233141</b>	904747	M4RC 054D-24B	120lbs
<b>0233142</b>	904748	M4RC 072D-35C	130lbs
<b>0233143</b>	904749	M4RC 090D-35C	135lbs
<b>0233144</b>	904750	M4RC 108D-45D	155lbs

### 90% + Downflow Furnaces

<b>0233145</b>	904751	M4RL 090D-35C	135lbs
----------------	--------	---------------	--------

### C6 Cased Coil Wrappers

<b>0233146</b>	904759	Wrapper, Cased Coil, C6 B	
<b>0233147</b>	904761	Wrapper, Cased Coil, C6 C	
<b>0233148</b>	904763	Wrapper, Cased Coil, C6 D	



# M5 Series



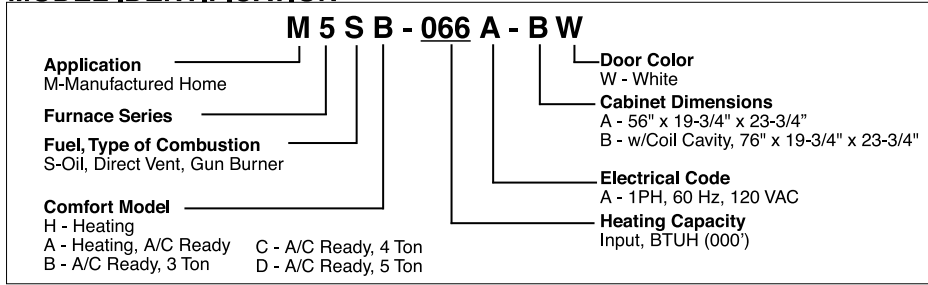
## M5S\* Oil Gun

The M5 Series furnace is designed for all sizes of manufactured and modular homes. These units incorporate high efficiency, reliability, and low maintenance. Units may be installed free standing in a utility room or enclosed in an alcove or closet. M5 Series furnaces are available in A/C adaptable or A/C ready, with or without coil cavity box, multiple blower combinations for cooling requirements, and many burner options.



- Sealed Combustion System: Vents exhaust gas directly outdoors and draws in 100% outside air for the burner.
- Easy Open Pawl Latch: Secures the door firmly for transit, yet allows easy removal for access.
- High Efficiency Drum Heat Exchanger: Delivers optimum heat transfer with low air resistance.
- Fully Insulated Cabinet: Insures minimized heat loss and quiet operation.
- Reliable Burner: With uniform flame pattern extends life of heat exchanger.

### MODEL IDENTIFICATION



Stock #	Mfg. #	Output MBtu/h	Model #	Ship Wt. A Cabinet	Ship Wt. B Cabinet
0233024	921212	56	M5SB-066-AAW	151	165
0233025	921209	73	M5SB-086-AAW	158	173
0233026	921211	56	M5SB-066-ABW	151	165
0233027	921208	73	M5SB-086-ABW	158	173

## M Series Accessories

Stock #	Mfg. #	Description
0103200	903773	Gas Blower, 2-3 Ton
0103201	903413	Gas Blower, 2-4 Ton
0103202	903890	Gas Blower, 2-5 Ton
0103205	903092A	2-Wire Relay Kit
0103206	902898A	4-7 Wire Relay Kit
0237941	911969A	Coil Cabinet White 24"D x 19-3/4"W x 20"H
0238128	901996A	Auto Damper F/MGHA & M1 Series
0238124	901987A	Duct Connector .88"
0238125	901990A	Duct Connector 6.25"
0238126	901988A	Duct Connector 2"
0237960	903656	Roof Cap

Stock #	Mfg. #	Description
0237966	901935	5" Interior Ext. 10" LG
0237968	901937	5" Exterior Ext. 16" LG
0238362	903894	3.5" x 12" Slant Deck Kit
0238350	903893	2.5" x 12" Slant Deck Kit
0230140	901986	Base Adpt. for MAC
0238127	901989A	Duct Connector 4.25"
0237963	904106	Furn. Vent Transition Kit
0231137	903578	Concentric Flue Kit
0231130	904177	2" Concentric Vent Kit for M4
0231131	904176	3" Concentric Vent Kit for M4
0231132	904914	USLP Conversion Kit for M4
0231134	903578	Concentric Vent Term. Kit f/M4

## E3EB-xxx-H Series Downflow, Upflow Electric Furnaces

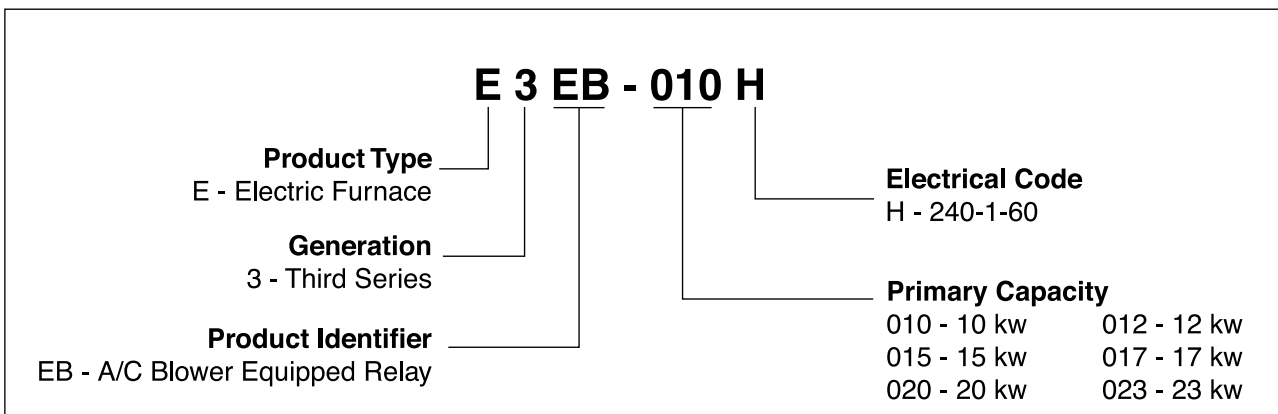
The E3 Series furnace is designed for all sizes of manufactured and modular homes. These units incorporate reliability and low maintenance. Units may be installed free standing in a utility room or enclosed in an alcove or closet. E3 Series furnaces are available A/C adaptable or A/C ready, with multiple blower combinations for cooling requirements.

- Choice of Air Conditioning options From 2 to 5 tons A/C ready.
- Easy Open Door secures the door firmly for transit, yet allows easy removal for access.
- Effective Air Filter Universal disposable filter is readily available and simple to replace.
- Nichrome Heating Elements provide long lasting, efficient heating.
- Appliance Quality Door protects against rust and other corrosion. Baked enamel finish allows for easy cleaning.
- Fully Insulated Cabinet insures minimized heat loss and quiet operation.
- Safety and Dependability: Auto reset controls protect unit's electrical circuitry and help ensure trouble free performance. Built in circuit breakers for extra safety.
- Adaptable: Unit can be adapted to provide dependable heating in either downflow or upflow mode.
- Versatile: Works with self-contained or split system air conditioners or heat pumps.
- Dimensions: 20" wide, 29" high, 24.5" deep



Stock #	Mfg. #	Model #	Output Heat Btuh
0238089	904129	E3EB-010H	35,000
0238090	904154	E2EB-015HBR	35,000
0238091	904130	E3EB-012H	41,000
0238092	904131	E3EB-015H	53,000
0238093	904132	E3EB-017H	57,000
0238094	904133	E3EB-020H	70,000
0238095	904134	E3EB-023H	75,000

### MODEL IDENTIFICATION



Stock #	Mfg. #	Description	For Use With:
0103041	902993	Blower, 2-4 Ton	E3E Models
0103060	902985	Blower, 5T	E3E Models
0238068	902989	Top Grill & Frame White (20" x 27")	E3E Models
0237801	0100-401	Heat Only Thermostat (w/Thermometer)	All Furnaces
0238129	918082	Heat Only Thermostat	All Furnaces
0238124	901987	Duct Connector 11" x 13.25" x .88"	E3E Models
0238125	901990A	Duct Connector 11" x 13.25" x 6.25"	E3E Models
0238126	901988A	Duct Connector 11" x 13.25" x 2"	E3E Models
0237943	901083	Automatic Damper for AC or HP pkg. unit	E2/E3 Models
0238019	913874	4-Pole Single Circuit 1 Phase Adapter Kit	E2/E3 Models
0103061	902991	E2EH Insulation Kit	E3E Models
0103059	903091	Relay Kit, 2 Wire	E3E Models
0103048	902987	Relay Kit, 4-7 Wire	E1/E2 and E3 Models
0100602	914649	3 Coil Conversion Kit (054)	E2/E3 Models
0100603	914539	C-3 Conversion Kit (24-47)	E2/E3 Models
0103058	903001	HP T-Stat Connector	E2EB Models
0237938	902992	Upflow Stand	
0237939	902976	Coil Cabinet Upflow*	F/E2 furnace
0237936	903891	Coil Cabinet Downflow**	F/E2 furnace
0100598	917763	Filter F/24-47 Coil 2/Pkg.	

\* Open on both ends, has solid door.

\*\* Includes 19" x 24" x 3/8" filter, encloses coil and filters through the door.

## E2E\* Conversion to E3E\* 15 KW Field Replacement Chart

OLD MODEL			REPLACEMENT MODEL	
Description	Single Pack	Description	Single Pack	Stock #
E2EH-015HB	0902963B	E2EH-015HBR	0904154	0238090
E2EB-015HB	0902969C	E2EB-015HBR		
E2EH-015HR	0903965	E3EH-015H	0904131	0238092
E2EB-015HR	0903964C	E3EB-015H		
E2EH-015HA	0902963A	E3EH-015H	0904131	0238092
E2EB-015HA	0902969A	E3EB-015H		

- The E2E\* - 015HBR replaces the existing E2E\*-015HB
- The E3E\* - 015H replaces the existing E2E\* - 015HR and E2E\*-015HA.
- The E2E\* -015HR will be discontinued.



Leader in the Warranty Services Industry

# Manufactured Housing Product Protection Plan

Welcome to the simplest, easiest, worry-free risk management plan ever offered. SelecRate has been developed to make your business more profitable and less complicated. You and your customer receive all of the benefits of a comprehensive plan without the hassles that can be associated with many other extended agreement programs.

As your partner, we have teamed up with Service Net, North America's largest provider of risk management programs for HVAC/R industry, to develop this unique user-friendly opportunity to take your business to the next level. Through the SelecRate Plan you will increase profits, build your customer base and Service Department, improve customer retention and significantly increase the value of your business.

## Five-Year Parts & Labor Protection Plans

- 0100143 AC Condensor Unit with Coil
- 0100144 HP Condensor Unit with Coil
- 0100148 HP Condensor Unit with Coil & Air Handler
- 0100142 Furnace
- 0100146 Packaged Unit Gas / Electric
- 0100140 Packaged AC
- 0100141 Packaged HP

## Ten-Year Parts & Labor Protection Plans

- 0100149 AC Condensor Unit with Coil
- 0100150 HP Condensor Unit with Coil
- 0100156 HP Condensor Unit with Coil & Air Handler
- 0100154 Furnace
- 0100153 Packaged Unit Gas / Electric
- 0100151 Packaged AC
- 0100152 Packaged HP

Outdoor Improvements
Anchors & Set-Up Material
Doors & Windows
Coatings & Cleaners
Appliances
Tools & Hardware
Carpet & Flooring
Electrical
Plumbing
Towing & Safety
Heating & Cooling

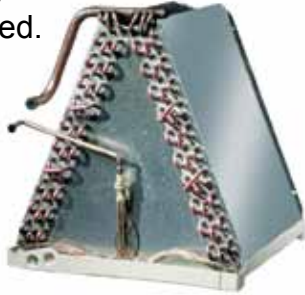


# Replacement R-22 Coils & Line Sets

## Replacement "A" Coil

(for 10 SEER)

Piston equipped.



Stock #	Mfg. #	Model #	Dimensions L x W x H
0102610	917224D	C3QA-024U-B	19-1/2" x 18-1/8" x 18"
0102611	917225D	C3QA-030U-B	19-1/2" x 18-1/8" x 18"
0102612	917226D	C3QA-036U-B	19-1/2" x 18-1/8" x 18"
0102613	917227D	C3QA-042U-B	19-1/2" x 18-1/8" x 18"
0102614	917228D	C3QA-047U-B	19-1/2" x 18-1/8" x 18"
0102609*	917266D	C3QA-048U-B	19-1/2" x 18-1/8" x 22-3/4"
0102615	917229D	C3QA-055U-B	19-1/2" x 18-1/8" x 19"

\* Will not fit most gas furnaces. Use 0102614 instead.

## Replacement Coils for 13 Seer

- TXV equipped
- Needed to make 13 SEER in certain applications

Stock #	Mfg. #	Model #	Metering Device	Dimensions L x W x H
0104140	919213D	C5QA-T25U-B	R-22 TXV	19-1/2" x 18 1/8" x 20"
0104142	919214D	C5QA-T30U-B	R-22 TXV	19-1/2" x 18 1/8" x 20"
0104151	558447	CMQX-36U	R-22 TXV	19-5/8" x 18" x 18-1/2"
0104144	558442	CMQX-42U	R-22 TXV	19-5/8" x 18" x 18-1/2"
0104148	558166	CMQX-53U	R-22 TXV	19-5/8" x 18" x 18-1/2"
0104149	558168	CMQX-54U	R-22 TXV	19-5/8" x 18" x 18-1/2"
0104150	558170	CMQX-55U	R-22 TXV	19-5/8" x 18" x 20-1/2"

## Replacement R22 Quick Connect Insulated Line Sets

Stock #	Mfg. #	Suction Line ID	Length
0103023	910866	5/8"	15'
0103024	910867	3/4"	15'
0103027	910870	3/4"	20'
0103037	910871	7/8"	20'
0103029	902893	3/4"	25'
0103030	902892	7/8"	25'
0103025	910872	3/4"	30'
0103028	910873	7/8"	30'
0103022	910875	7/8"	40'
0103021	914761	3/4"	50'
0103019	914526	7/8"	50'

## Replacement R22 Braze 3/4" Insulated Line Sets

Stock #	Mfg. #	Suction Line ID	Length
0104190	01-0358	3/4"	20'
0104191	01-0360	3/4"	30'
0104192	01-0364	7/8"	20'
0104193	01-0366	7/8"	30'